

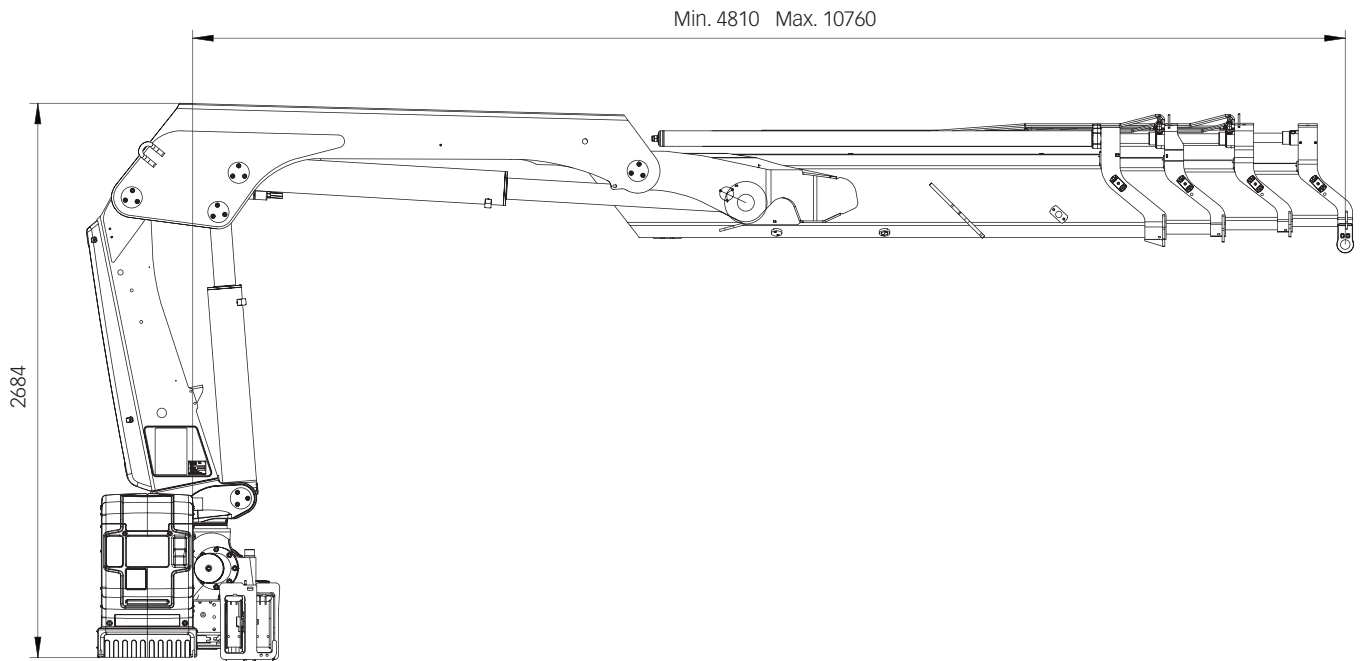
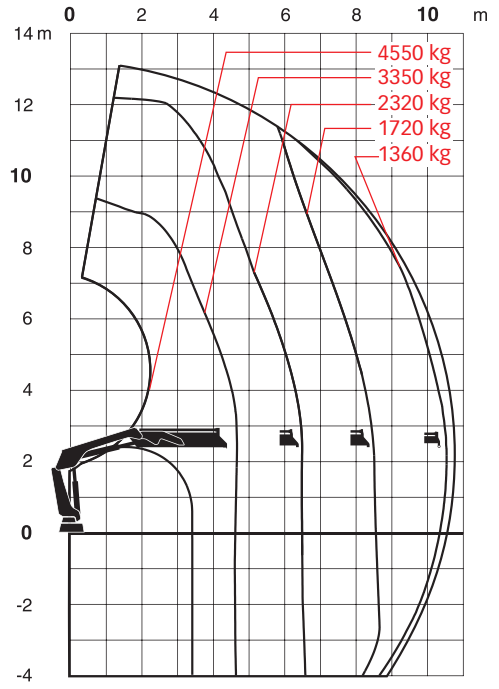
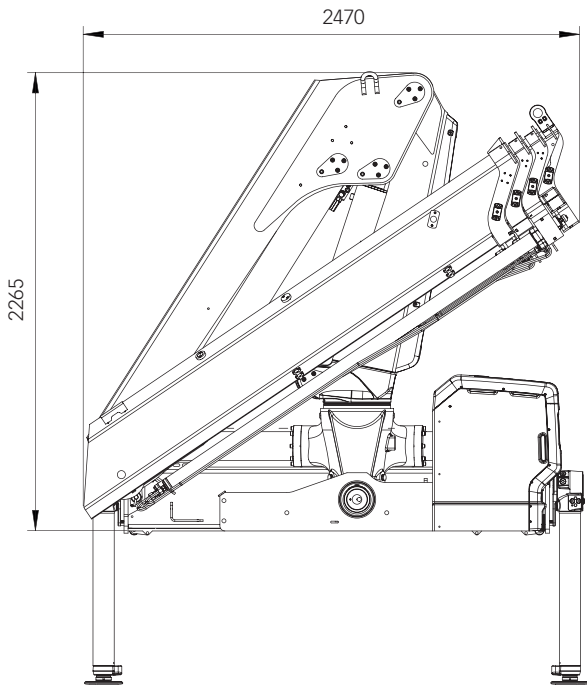
HIAB X-DUO 178



HIAB X-DUO 178 BASIC DATA

Technical data	BS-2	B-2	B-3	B-4	E-5
Max. lifting capacity (kNm)	157.1	156.7	152	147.8	145.6
Outreach, hydraulic extensions (m)	8.3	8.6	10.8	12.9	15.2
Outreach, manual extensions (m)	10.5	10.8	13	15.2	17.5
Outreach, with jib (m)	-	-	-	-	-
Outreach / lifting capacity (m/kg)	2.9 / 5500 4.3 / 3750 6.1 / 2600 8.1 / 1940 - - -	3.2 / 5000 4.6 / 3450 6.4 / 2460 8.4 / 1860 - -	3.4 / 4550 4.6 / 3350 6.4 / 2320 8.4 / 1720 10.5 / 1360 -	3.4 / 4450 4.6 / 3200 6.4 / 2200 8.4 / 1580 10.4 / 1240 12.5 / 1020 -	3.2 / 4650 4.9 / 3000 6.7 / 2040 8.7 / 1460 10.7 / 1120 12.8 / 890 15 / 750
Outreach / lifting capacity, with jib (m / kg)	-	-	-	-	-
Slewing angle (°)	415	415	415	415	415
Height in folded position (mm)	2265	2265	2265	2265	2260
Width in folded position (mm)	2470	2470	2470	2492	2494
Installation space needed (mm)	865	865	950	865	965
Weight, "standard" crane, without stabilisers (kg)	1795	1795	1965	2105	2365
Weight, stabiliser equipment (kg)	271 - 428	271 - 428	271 - 428	271 - 428	271 - 428
Weight, jib (kg)	-	-	-	-	-

HIAB X-Duo 178 B3



BUILT TO PERFORM

Hiab is the world's leading provider of on-road load handling equipment. Customer satisfaction is the first priority for us. Hiab's product range includes HIAB loader cranes, JONSERED recycling and forestry cranes, LOGLIFT forestry cranes, MOFFETT truck-mounted forklifts and MULTILIFT demountables, as well as DEL, WALTCO and ZEPRO tail lifts. www.hiab.com

Hiab is part of Cargotec. www.cargotec.com



BD-DU0178-EN-WW_140425



hiab.com