



Telehandler

SCORPION

960 756 746 1033 741 736 732 635

CLAAS



A perfect fit for your business.



The new SCORPION models.

Getting optimal business results is a question of professionalisation. With powerful, continuously variable drives, excellent agility and many automated functions, the new SCORPION models play their part to ensure that you get your loading work done safely, comfortably and, above all, speedily. We have over 20 years' experience with designing and manufacturing telehandlers – make the best of our expertise to boost your business productivity.

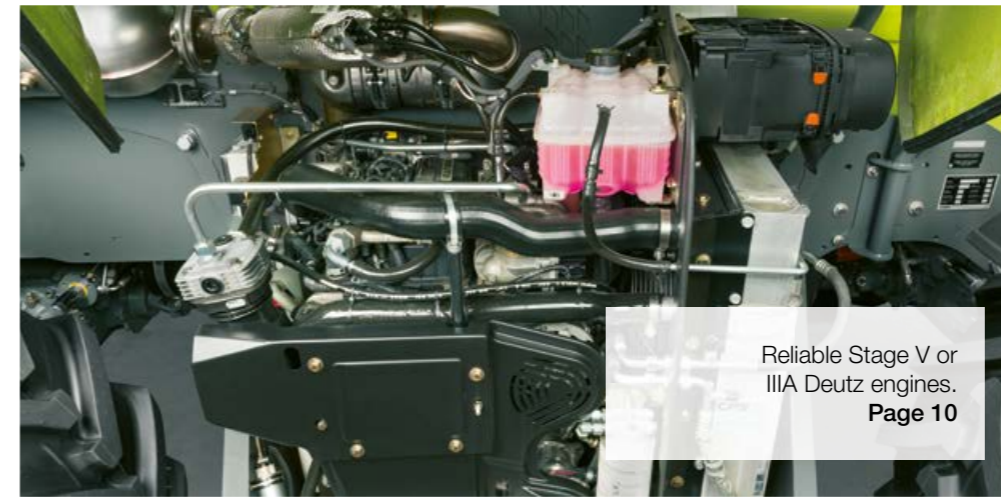
SCORPION models		
SCORPION 1033-635	SCORPION 746	SCORPION 756 / 960
	VARIPOWER Max. 40 km/h	VARIPOWER PLUS Max. 40 km/h
Transmission		
VARIPOWER transmission with three driving ranges, max. top speed 40 km/h		VARIPOWER PLUS transmission with three driving ranges, max. top speed 40 km/h
Hydraulic capacity		
160 l/min, LS pump with LS valves	200 l/min, LS pump with LS valves	
Operation		
SCORPION joystick		
Steering mode adjustment		
Electronic		
Hand throttle, creep speed facility		
Electronic		
Display		
3.5" TFT display (colour) or 7" instrument cluster display		



Your choice of ground drives.
Page 14



SMART LOADING driver assistance systems
to take the strain off work.
Page 24



Reliable Stage V or
IIIA Deutz engines.
Page 10



Four steering modes for any
manoeuvre.
Page 18



An arm you can
rely on.
Page 20



A workplace designed
for comfort.
Page 28

SCORPION Telehandlers	2
Technology in detail	6
CLAAS POWER SYSTEMS	8
Engine	10
Cooling system	12
Ground drive	14
Chassis	18
Loader unit	20
Implement carrier and telescopic arm	22
SMART LOADING	24
Working hydraulics	26
Cab and comfort	28
Design	30
Display and control instruments	32
Cab equipment	34
Camera and safety systems, lighting	36
Servicing	38
SCORPION TREND	40
CLAAS Service & Parts	44
Load capacity charts	46
Features	50
Specifications	51



Find out more about
the SCORPION.
scorpion.claas.com



- 1 Lift capacities from 3.2 to to 6.0 t
- 2 Deutz engines with up to 115 kW/156 hp, Stage V or IIIA
- 3 Infinitely variable hydrostatic VARIPOWER PLUS / VARIPOWER ground drive with improved SMART ROADING
- 4 DYNAMIC COOLING: Electronic control of fan speed and reversible fan
- 5 Load-sensing system with up to 200 l/min capacity
- 6 Third and fourth control circuits, leakage oil line and pressure-free return available
- 7 DYNAMIC POWER and fine-tuned control of working hydraulics for optimal sensitivity and precision even at great heights
- 8 External pressure relief for the third control circuit on the telescopic arm
- 9 Side support for the telescopic arm available for all models
- 10 SMART LOADING driver assistance systems
- 11 Redesigned ergonomic cab with large windows for maximum visibility
- 12 Choice between 3.5" instrument cluster display and 7" display
- 13 Intelligent parking brake with automatic function
- 14 Manual crab steering as fourth steering mode
- 15 Max. tyre size: 600 / 55-26.5



**MACHINE OF
THE YEAR 2018**

Economic driving.
 CLAAS POWER SYSTEMS (CPS).

CPS | CLAAS
 POWER
 SYSTEMS

What drives us: optimal components interacting optimally.

Your CLAAS machine is much more than the sum of its individual parts. Top performance is only possible when all of the parts are ideally matched and work together optimally.

In CLAAS POWER SYSTEMS (CPS), we have brought together top-quality components to create an intelligent drive system. Full engine output only when you need it. Drives that are suited to the way you use your machines. Fuel-saving technology that quickly pays off.





Advanced high-performance engines.

The high-torque 4-cylinder high-performance Deutz engines featuring 4-valve technology and turbocharger deliver an output of 100 kW (136 hp). The SCORPION 960 and 756 models are fitted with 115 kW (156 hp) engines. Both engine variants have plenty of power in reserve, even for the toughest pushing and material handling tasks. Intelligent common rail injection systems keep fuel consumption to a minimum and work so cleanly that they comply with the Stage IIIA emissions standard even without exhaust gas aftertreatment.

- High performance optimum thanks to CPS
- Optimal fuel consumption / power ratio
- Intelligent engine control
- Maximum torque of 500 and 609 Nm respectively

SCORPION	Engine output	Displacement
	kW / hp	litres
960	115 / 156	4.1
756	115 / 156	4.1
746	100 / 136	3.6
1033	100 / 136	3.6
741	100 / 136	3.6
736	100 / 136	3.6
732	100 / 136	3.6
635	100 / 136	3.6



Effective exhaust gas aftertreatment.

All models complying with the Stage V emissions standard feature SCR catalytic converters for reducing nitrogen oxide emissions, while a diesel particulate filter (DPF) with integrated diesel oxidation catalytic converter (DOC) takes care of reducing carbon monoxide and hydrocarbon emissions.

- Low maintenance requirements
- Can be used in all weathers
- Compliance with Stage V emissions standard

Deutz engine, Stage IIIA.



Particulate filter status visible at all times.

The status of the diesel particulate filter is shown on the display at all times. Passive regeneration requires no manual operator intervention. In unfavourable conditions or in an emergency, regeneration can be suppressed by pressing a switch.

- 1 Manual suppression of regeneration
- 2 Active regeneration start at the push of a button



Enough fuel for long working days.

The large fuel tanks are located under the cab on the left of the machine, providing optimal protection and ease of access. The solid steel underbody protection ensures maximum safety in everyday operations.

- Large tank volumes allow longer operating periods without needing to stop
- Minimises the risk of damage when working in tough conditions

SCORPION	960 / 756	746 / 1033-635
Fuel tank	190	150
Urea tank	20	10

Easily accessible AdBlue filler neck for efficient exhaust gas aftertreatment.



Lockable fuel tank behind the cab.



Intelligent cooling.

A clean air supply comes as standard.

The SCORPION takes air in via filters located in the clean, dust-free section of the machine. This minimises soiling of the cooling fins with straw, grass and silage, and large dust and dirt particles never even enter the air circuit.

- Direct route to the air filter
- Problem-free use, even in high-dust environments
- Low maintenance requirements

Even cleaner operation as an option.

If you mainly work in high-dirt environments, it is advisable to fit a negative-pressure preseparator. The preseparator is integrated into the engine compartment and eliminates coarse dust and dirt particles from the intake air before it enters the system. This significantly extends air filter maintenance intervals.



The reversible fan keeps the large ventilation surfaces free of straw and dirt particles.



As a result, cooling capacity is consistently maintained even when working in extremely dusty conditions.

Intelligent air flow.

Cold air enters through large intake surfaces in the front part of the machine, where the air is clean, and is drawn through the engine compartment. Engine heat is discharged from the engine compartment via exit grilles at the rear. This intelligent air flow design prevents any re-intake of exhaust air.

During road transport or when operating with part loads only, a lower fan speed is often sufficient. DYNAMIC COOLING detects the requirements of all cooling units via thermosensors and electronically adapts fan speeds as required.



DYNAMIC COOLING saves both energy and fuel.



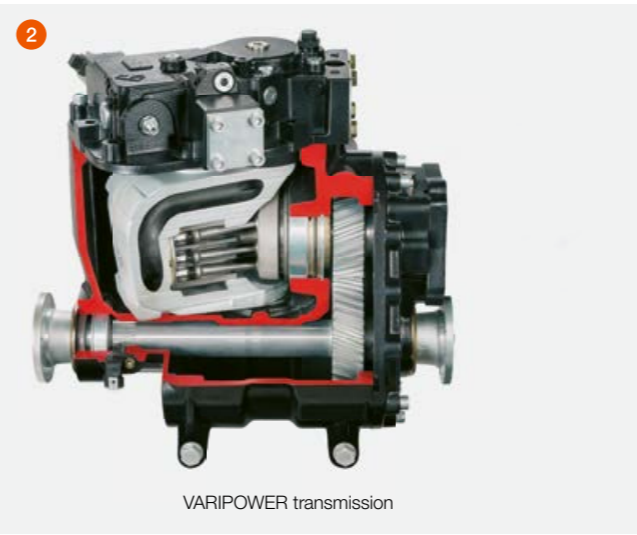
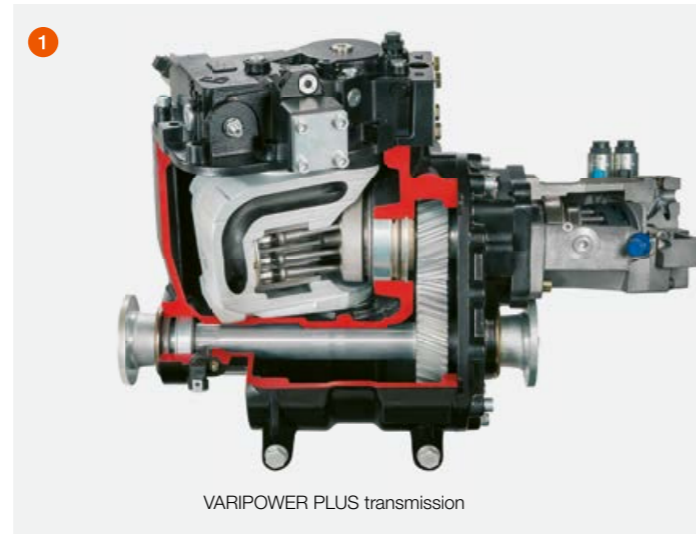
Automatic cleaning.

The reversible fan clears air intake surfaces fully automatically of dirt and dust particles. The fan direction is reversed at regular intervals. The time interval for this is preset, but can be changed by CLAAS Service if required. The fan can also be reversed manually at any time at the push of a button.

- Easy filter cleaning
- Long operating periods
- Constant output



Minimum radiator soiling thanks to the reversible fan.



All the power you need, and infinitely variable: two drive systems.

The SCORPION offers a choice of two hydrostatic ground drives. Both are electronically controlled and feature outstanding drive characteristics. Operators benefit from precise control and perfectly metered thrust in any driving range.

- 1 VARIPOWER PLUS with wide-angle hydrostatic pump (45°) and second variable displacement motor (32°)
- 2 VARIPOWER with wide-angle hydrostatic pump (45°)

Maximum power: VARIPOWER PLUS (1).

The SCORPION 960 and 756 models are fitted with the VARIPOWER PLUS transmission as standard. Along with a wide-angle hydrostat (45°), this system features a second, swivelling variable displacement motor with a 32° swivel angle, which delivers significantly more power in all operating ranges.

- Maximum agility
- Maximum thrust
- Maximum fuel efficiency thanks to SMART ROADING

Maximum comfort: VARIPOWER (2).

Thanks to the VARIPOWER transmission with 45° maximum swivel angle (wide-angle hydrostat), the SCORPION has a top speed of 40 km/h, infinitely variable. Ground speed and thrust are coordinated with each other at all times. This keeps fuel consumption low even when operating at high capacity.

- High level of agility
- High level of thrust
- Highly fuel efficiency thanks to SMART ROADING

The control centre: joystick.

For loading cycles and road transport tasks, VARIPOWER provides the right driving mode for any application. The joystick makes for effortlessly precise ground speed adjustments and driving range changes.

At your fingertips:

- A Change the direction of travel
- B Shift down driving range
- C Shift up driving range

SCORPION	960	756	746	1033	741	736	732	635
VARIPOWER PLUS, 40 km/h	●	●	-	-	-	-	-	-
VARIPOWER PLUS, 30 km/h	○	○	-	-	-	-	-	-
VARIPOWER, 40 km/h ¹	-	-	●	●	●	●	●	●
VARIPOWER, 30 km/h	-	-	○	○	○	○	○	○
20 km/h – variants ²	○	○	○	○	○	○	○	○

● Standard ○ Optional - Not available

¹ Applies to all SCORPION models with VARIPOWER equipment

² All models are available as 20 km/h versions ("self-propelled agricultural machines"), irrespective of their transmission systems

The brain: SMART ROADING.

SMART ROADING adjusts the engine speed to the power level required. The operator only needs to set the ground speed with the ground drive pedal. The engine speed is raised or lowered automatically depending on the loads applying to the diesel engine. This not only lowers the noise level when the top speed is reached, but also reduces the diesel consumption during both road transport and on-farm material handling operations.

VARIPOWER driving ranges ¹		Speed
Snail	km/h	0-15
Tortoise	km/h	0-30 ¹
Hare	km/h	0-30 / 0-40

¹ With a maximum top speed of 30 km/h in combination with the VARIPOWER PLUS / VARIPOWER ground drive, the tortoise speed range is 0-22 km/h.

This ensures safe operation, at any ground speed.



Slow driving made easy.

The creep speed facility of the SCORPION VARIPOWER is perfect for operations calling for a high oil flow rate at low ground speeds such as sweeping or litter spreading. The maximum ground speed is easily and conveniently adjusted via the potentiometer, and the required diesel engine speed is set via the electronic hand throttle. The creep speed facility is available for use in the snail and tortoise speed ranges.

- 1 Electronic creep speed facility
- 2 Electronic hand throttle

Hand acceleration.

The electronic hand throttle, which can be combined with the creep speed facility, can be used to deliver constant output from the working hydraulics.

Safe on the road.

For the SCORPION, there is a choice of a two-line air brake system or a hydraulic brake. This provides safe braking capability for even heavy trailers such as when transporting straw on the road.

Automatic safety system when bringing the machine to a stop.

When you leave the driver's seat, switch off the engine or lower the ground speed to 0 km/h, the SCORPION automatically activates its electrohydraulic parking brake. The brake is released as soon as you depress the accelerator pedal or select a direction of travel. A toggle switch is additionally available for manual activation.



The brake pedal with inching function reduces fuel consumption and brake wear.

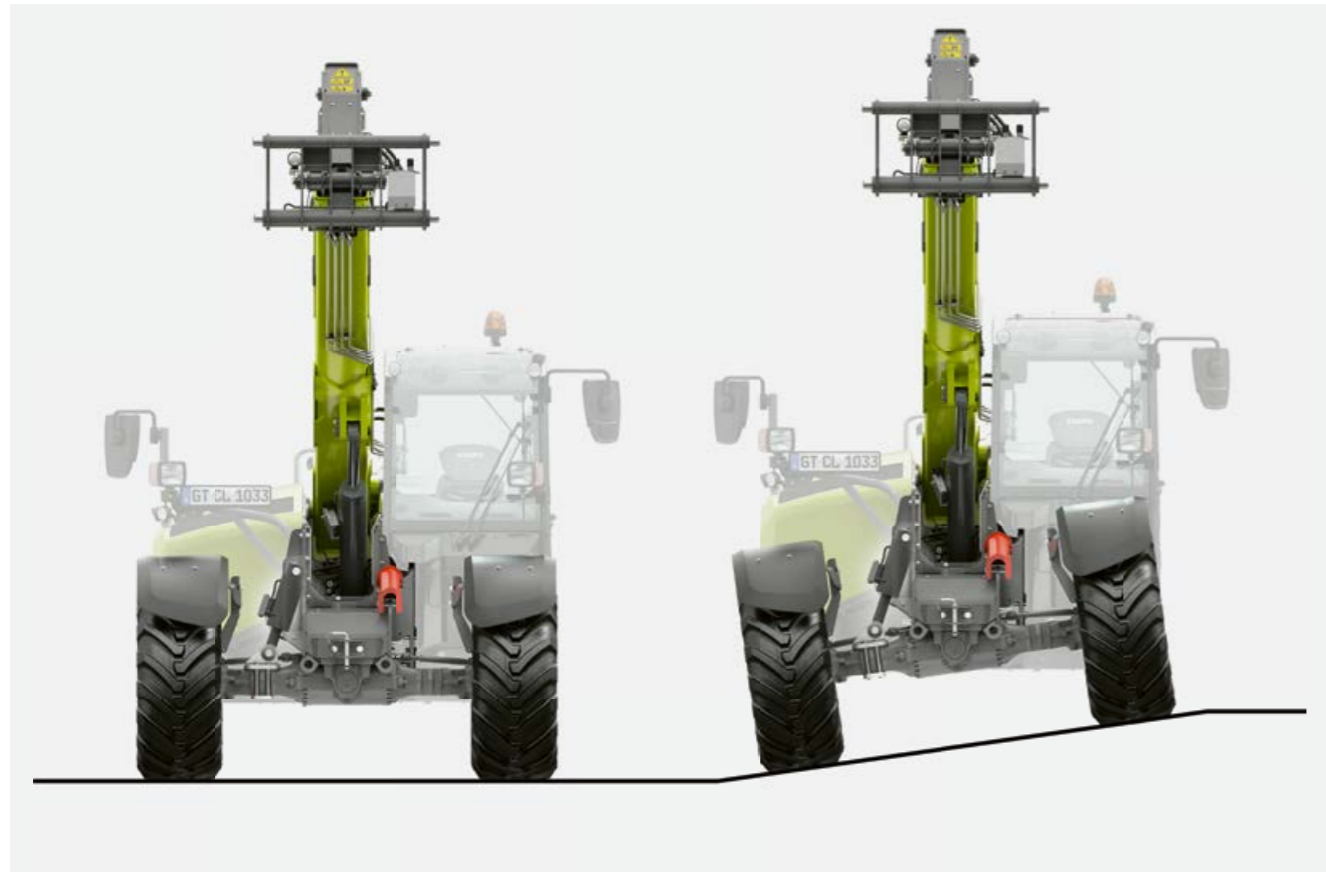
Two braking variants.

Pressing lightly on the brake pedal with inching function continuously reduces your ground speed. The engine speed stays the same. Pressing the pedal through to the floor automatically sets the ground drive to zero and activates the service brake. This allows accurate, precisely metered driving at any engine speed.



The toggle switch allows the parking brake to be operated manually.

Adjusts perfectly to any kind of terrain.



Stability in any position.

The strong axle design and self-locking differential with a 45% lock value or differential lock with a 100% lock value in the SCORPION 960-746 provide maximum safety when working in difficult conditions. The front of the SCORPION features a planetary steering drive axle with a maximum steering angle of 35°, ensuring outstanding agility, while the rear is equipped with an oscillating planetary axle with an 11° oscillation angle each side in the SCORPION 1033-635 and a 10° oscillation angle each side in the SCORPION 960-746.

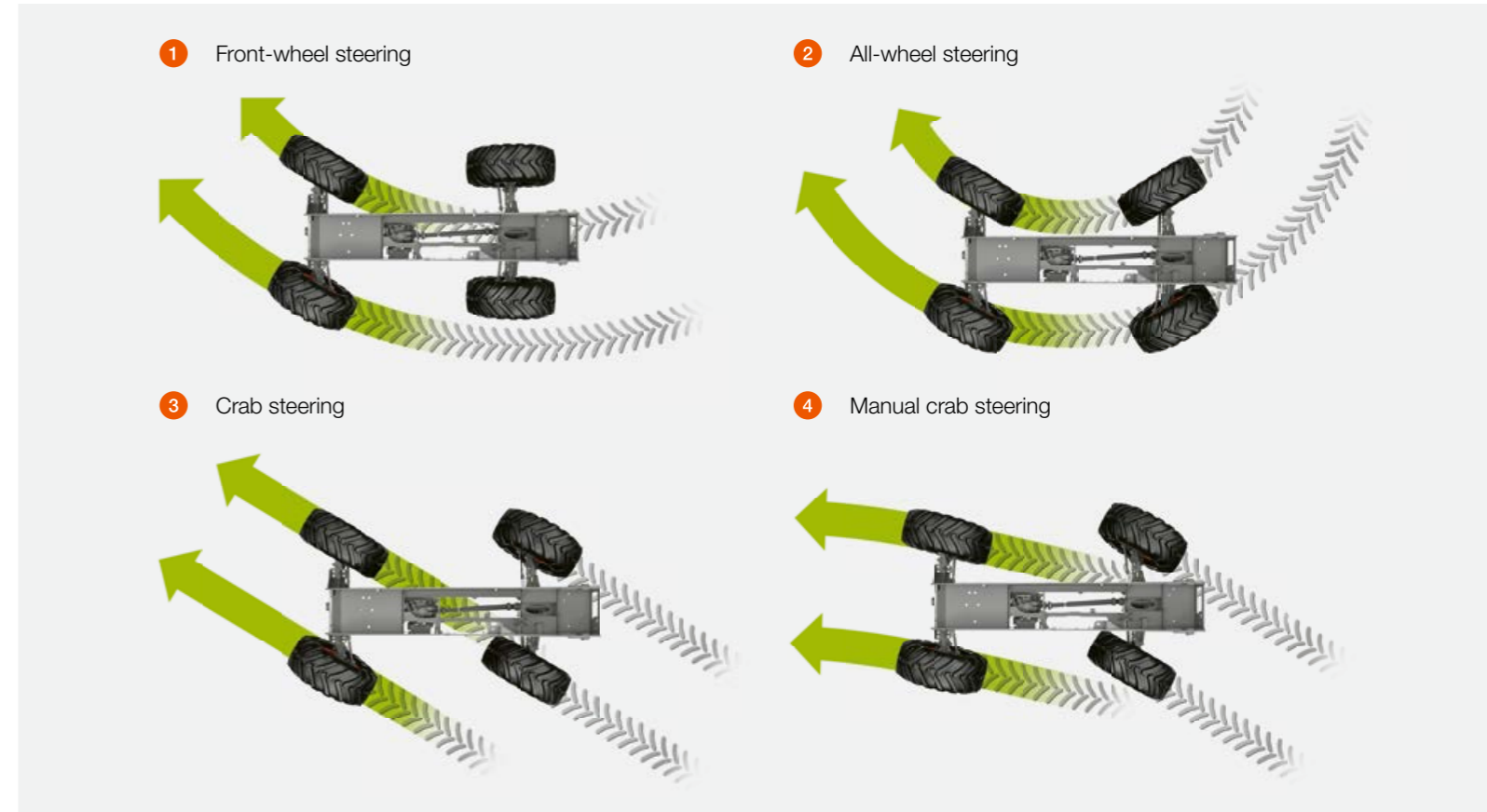
Levelling for heavy loads.

The SCORPION 960 and 1033 VARIPOWER allow hydraulic levelling between the frame and front axle within +/- 8°. This feature is activated via a toggle switch in the cab, and a spirit level is provided within easy view of the operator. This provides maximum stability on uneven terrain and allows you to work accurately even at high lifting heights.

All-wheel drive deactivation at high speeds.

The SCORPION 960 / 756 VARIPOWER PLUS is optionally available with electronic all-wheel drive deactivation to save fuel on the road and increase the service life of your tyres.

Greater off-road safety thanks to hydraulic levelling.



Steering modes for every application.

Four steering modes provide unbeatable manoeuvrability, even in the tightest of spaces. A new feature here is manual crab steering, which makes the machine even more agile through front-axle steering.

- 1 Front-axle steering
- 2 All-wheel steering
- 3 Crab steering
- 4 Manual crab steering

Changing steering modes while on the move.

In the SCORPION VARIPOWER models, the steering mode can be changed quickly and easily even while the machine is on the move. The axles are synchronised electronically. The rotary pushbutton for selecting the steering mode is positioned within easy reach on the right-hand side of the instrument panel. For manual crab steering, the rear axle first needs to be manually moved into the required position prior to switching to front-axle steering mode. The currently selected steering mode is shown in the display and is always within the driver's view.

Greater precision with manual crab steering.



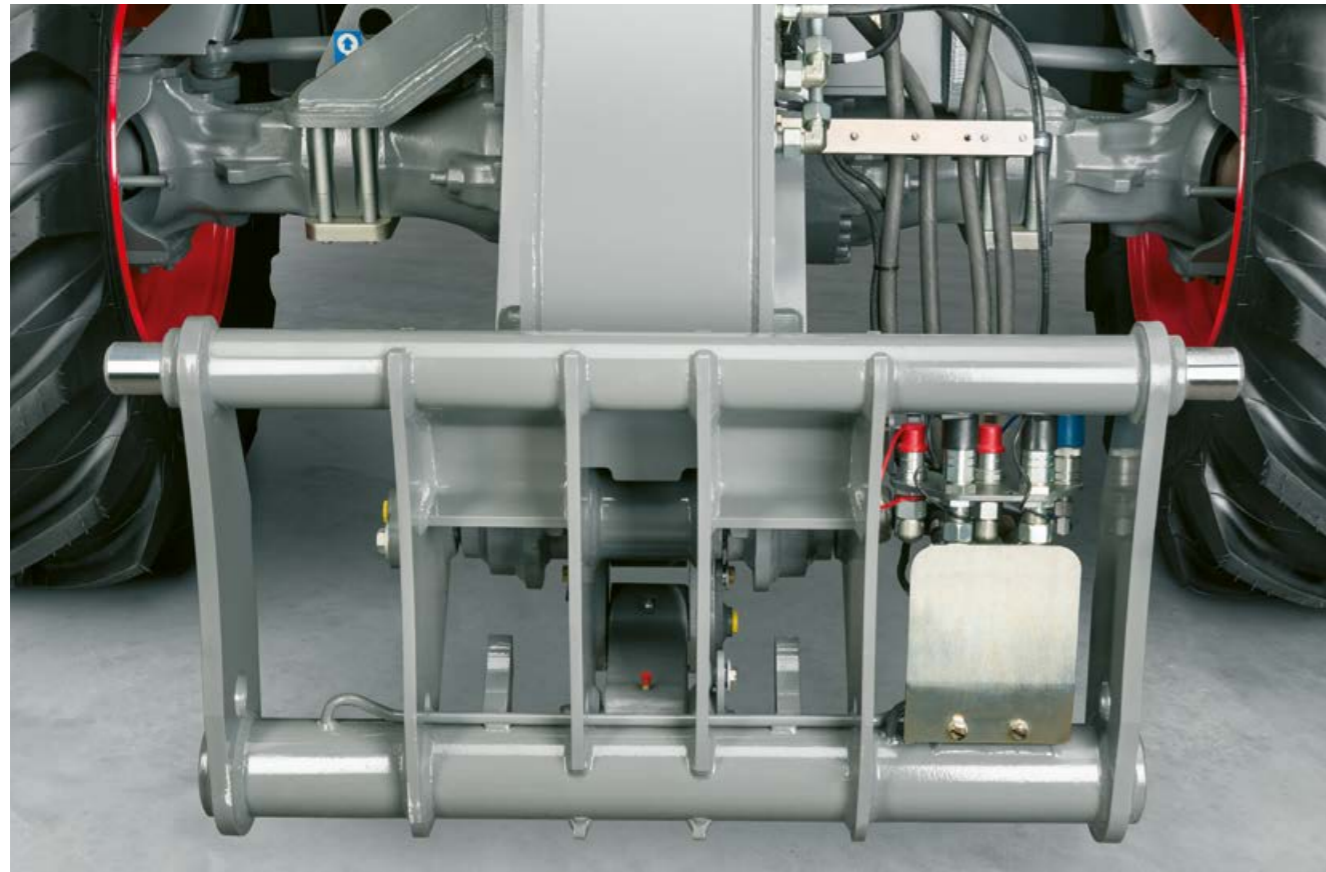
Rotary pushbutton (A) for selecting the steering mode in the SCORPION VARIPOWER.

A powerful arm on your farm.

SCORPION operators can rely on very powerful working hydraulics and a robust telescopic arm with optional side support that delivers outstanding torsion resistance and load capacity. Not only that, they are also supported by smart automatic functions such as bucket return and engine speed adjustment, which boost productivity while easing the operator's workload.



Detailed features sure to lift the operator's mood.

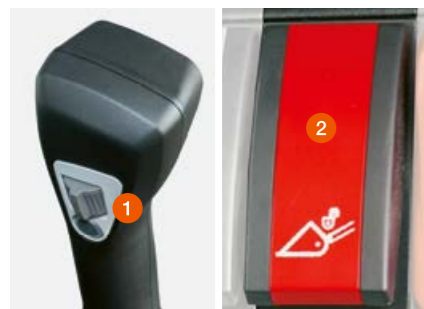


Designed for hard work.

The robust implement carrier is clearly visible from the SCORPION cab and designed for any operating conditions. Strong locking pins (50 mm) ensure that any implements can be attached securely with minimal wear, mechanically or hydraulically as preferred. The hydraulic connections are easily accessible and well-protected.

152-degree dumping angle.

The implement carrier features an unusually large rotation angle of up to 152°, making it ideal for moving bulk goods, especially sticky goods and materials. The SCORPION 1033 VARIPOWER model is optimised for stacking tasks at high working heights and therefore features a slightly smaller rotation angle of 126°.



Faster and safer implement changes via a touch key switch (1) and toggle switch (2).



Large rotation angle of up to 152°...



... for easier unloading of bulk materials.



Side support for the telescopic arm is standard in the SCORPION 756 / 746.

Extension of up to 9.75 m.

The telescopic arm has excellent torsion resistance, so operators can continue to work without difficulty even close to capability limits. The load capacity remains impressive even at maximum extension. The brush on the lift mast prevents any build-up of dirt as the telescopic arm is retracted. A side support is available for the telescopic arm in all SCORPION models.

No possibility of bouncing.

Oscillation damping of the telescopic arm prevents the machine from bouncing while it is on the move. This function can be activated via a toggle switch at any ground speed. In automatic mode, it is automatically switched off at speeds below 7 km/h for precise work even with heavy loads.

SCORPION	Lifting height (m)	Lift capacity (t)
960	8.79	6.0
756	7.03	5.6
746	7.03	4.6
1033	9.75	3.3
741	6.93	4.1
736	6.93	3.6
732	6.93	3.2
635	6.13	3.5

A firm eye on capacity utilisation.

The EN 15000-compliant load display is located on the A pillar for maximum visibility. Its clear icons always provide the operator with certainty about the load level the machine is currently operating in: Green indicates that everything is fine, green-amber that the stability limit has been reached and green-amber-red that there is a risk of tipping over.



Load display based on clear traffic light icons: When the stability limit is exceeded, all of the LEDs light up, and an alarm tone sounds.

Level 0 (latched)
The machine will not allow any loads above 100%. Once 100% has been reached, only load-reducing movements can be performed.

Level 1 (latched)
The machine will allow loads above 100% in certain load conditions. Cannot be activated with lift angles above 50°.

Level 2 (non-latching)
Loads above 100% can be manually enabled for a limited time in exceptional situations. Level 2 is only available for 60 seconds at a time.

Saving you time. SMART LOADING.

Greater comfort.

SMART LOADING bundles a number of intelligent systems for machine optimisation in wheel loaders and telehandlers into a unique operator assistance package, providing maximum comfort and convenience for the operator for routine daily operations.

Precisely coordinated and individually adjustable functions optimise the entire loading cycle, boosting both the productivity and efficiency of your work processes. This means considerably less strain on the operator, machine and materials.

More assistance.

The automatic bucket return function is ideal for loading operations where the bucket is continually being returned to a position close to the ground. To reduce the workload involved, the operator can simply save the required dumping angle and call it up when required by pushing a button on the joystick.

The SCORPION 960, 756 and 746 feature the new, automatic shake function for the tilt ram as standard. This makes it considerably easier to empty sticky materials from the bucket. The function is activated by briefly pushing the joystick twice and then holding it at an angle.



Greater precision.

The precision control of the working hydraulics (for the SCORPION 960-746) is specifically designed for accurate high stacking operations. By simply pressing a toggle switch, the operator is able to automatically reduce the speed of the working hydraulics by half. The operator can then focus fully on placing goods in the correct position.



Automatic bucket return for faster work close to the ground.

Greater efficiency.

The DYNAMIC POWER assistance system in the SCORPION 960-746 automatically increases or decreases the diesel engine speed in line with the joystick angle. This makes loading cycles even faster and easier. A lower speed enhances operating safety and reliability, reduces operator strain and allows operators to work longer without getting fatigued.



DYNAMIC POWER for more efficient loading cycles.



Strong up front.

For implements with a double-acting control circuit such as sweepers or grab buckets, the SCORPION has additional hydraulic control circuits with a capacity of up to 200 l/min. Two double-acting hydraulic connections can be safely attached directly to the implement carrier if required. A leakage oil line and pressure-free return are available as optional equipment.

- Convenient, independent activation via the joystick
- Infinitely variable flow rate adjustment
- Activation of continuous operation via a toggle switch

Versatile at the rear.

The SCORPION VARIPOWER comes with a choice of four different rear hydraulics options:

- Single-acting connection for tipper operation
- Single-acting connection and hitch
- Single-acting and double-acting connection
- Single-acting, double-acting connection and hitch



Pressure-free implement changes.

For fast and easy implement changes with no unnecessary oil losses, the couplers must be pressure-free. Simply switch the connections of the third control circuit to zero pressure at the push of a button while the engine is running, either via a toggle switch in the cab or a push button on the telescopic arm.

Safe stacking.

For high overhead loading operations, or for added safety in situations where the tilt ram must not be activated in any circumstances, you can simply activate the tilt ram lock from inside the cab. The implement carrier then remains in a horizontal position.

Whatever the requirement may be – heavy lifting or fast loading – the SCORPION has powerful working hydraulics with joystick operation (including electrohydraulic pilot control in VARIPOWER models) for maximum power and performance.

Proportional valves, which are load-independent in the VARIPOWER variant, provide precise control of all hydraulic functions in the loader unit.

Working hydraulics – VARIPOWER models.

SCORPION		960	756	746	1033	741	736	732	635
Type					Load sensing				
Valves					LUDV valves				
Max. pump capacity	l/min	200	200	200	160	160	160	160	160
Max. operating pressure	bar	270	270	240	270	270	270	240	240

Well-protected hydraulic connections on the implement carrier.



1 Front control circuit
2 Pressure relief



A great place to be.
The new workstation.



Comfort and visibility.

The spacious operator cab provides an optimal environment for working comfortably, safely and at top productivity, day in, day out. The completely new cab design features a unique 360° all-round view. Inside, the functional design is focused on everything essential to ensure that operators are not distracted from the instruments in the control unit. You additionally have a wide choice of optional comfort extras for your SCORPION VARIPOWER model.

Delights operators with a completely new design.

Plenty of space.

A completely new cab design concept was developed for the current SCORPION model range, starting from the access via individually adjustable steps to the practical interior with perfectly coordinated ergonomics.

- Spacious cab with plenty of room
- Tailored to operator requirements
- Maximum comfort in any operations



Perfect visibility.

The main objective in designing the cab was to give the operator a full 360° view, together with maximum comfort and plenty of storage space. Accordingly, the structural frame elements are kept as small as possible, and the telescopic arm is fitted to the chassis at the lowest possible point.

This structural design plus the large, low-cut windscreen give operators unobstructed all-round visibility. Implements are always in clear view, and operators are able to see what is happening behind the machine.



1 SCORPION 960-746
2 SCORPION 1033-635



Fresh air.

The split-level door in the SCORPION can be folded back and secured in the preferred position in a single move. It can also be closed without the operator needing to get in or out of the cab. The hinged rear window can also be fixed in an open position. Both of these features provide a much-welcome breath of fresh air, especially on hot days.

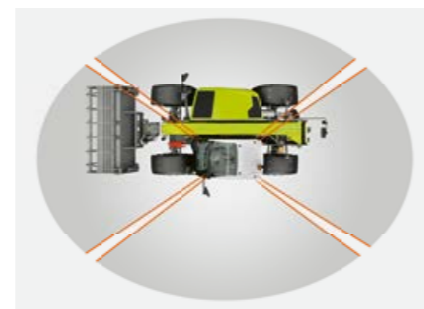
The upper section of the access door can be opened and locked in position. This provides a further substantial increase in visibility, particularly in difficult driving conditions. The lock can be quickly released, both from the outside or from the driver's seat.



Easy access to the driver's seat, individually adjustable work position.



Perfect visibility of the implement, regardless of its position.



Full 360° visibility thanks to large windows.



Unobstructed view to the rear for safer work, thanks to the low-mounted telescopic arm.



Unobstructed view of attached implements and the immediate work environment.



Intuitive operation.

With the ergonomically designed joystick (A), you'll always control your machine securely, whatever the job at hand. Joystick operation makes it intuitive and easy to control the machine. Electronic pilot control makes for highly sensitive proportional control of all functions, ensuring that any loading and material handling jobs can be performed with great precision.

All controls are within easy reach of the operator's right hand. They are logically arranged by application and quickly activated.

- B Emergency stop button
- C Battery isolation
- D Reversible fan control
- E Tilt cylinder lock
- F Trailer brake (depending on country)



Colour-coded grouping of controls for maximum safety and convenience.



Clean, informative display.

The 3.5" colour screen of the instrument cluster display serves as a central source of information for operating the machine. It is positioned within easy view of the operator and clearly readable in any lighting conditions.

The operator is able to survey all the main parameters at a glance and see the current operating status of the machine and its components. The easily understandable sub-menus are intuitive to use.

- 1 Main screen: Display of essential functions (direction of travel, steering mode, driving range) and menu bar at the bottom
 - Main menu (A)
 - Working hydraulics menu (B)
 - Units menu (C)
 - Error messages (D)
- 2 Arrow keys for navigating through the menu bar
- 3 Direct selection of main screen
- 4 Direct selection of error messages



7" colour display optional for all VARIPOWER models.



Seating comfort.

The SCORPION seat boasts air suspension or low-frequency suspension with seat heating, back extension and a wide range of individual adjustment options for maximum comfort. Alternatively, you can have a seat with mechanical suspension fitted in your SCORPION.

Seeing clearly.

To ensure that your all-round view is not obscured by ice, rain or dust, all models can be fitted with windscreen heaters for the rear window and right-hand side window, and with windscreen washers for the windscreen and roof window. For the SCORPION 960-746, a windscreen washer is also available for the right-hand side window.



Well chilled and safely stored in the cooling compartment of the SCORPION 960-746.

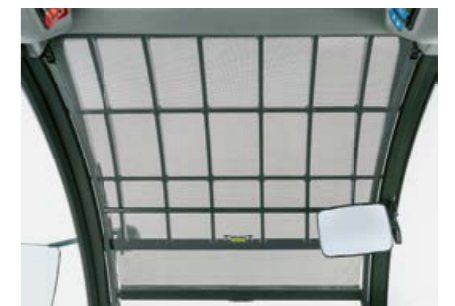


Adjustable steering column. Available for all VARIPOWER models: three-way adjustment for height, angle and tilt.

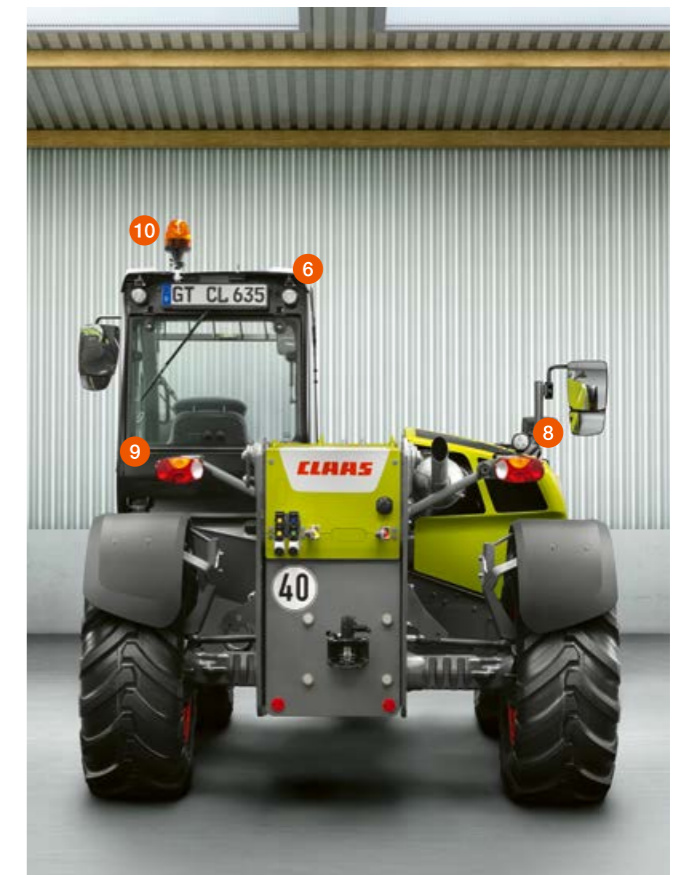
In addition to the rear-view mirrors, interior rear-view mirrors and rear mirrors for the trailer coupling and hitch hook are available as optional equipment.

Breathe freely.

The high-performance air-conditioning system of the SCORPION provides not only for comfortable conditions inside the cab even in very hot weather, but also for excellent protection against dust and aerosols. Temperature, fan speed and air distribution can all be set to individual preferences.



The roof window is fitted with a roll-up sun screen as standard.



The all-seeing driver.

SCORPION machines can be fitted with high-resolution cameras upon request. These transmit sharply defined images of the work environment to the colour display in the cab even in twilight. The ultra-robust camera housing easily withstands high-pressure cleaning. An integrated heater prevents the lens from misting up or freezing over.

- Better visibility to the sides when driving with the lift mast raised
- More safety for people in the operating range
- Maximum control when reversing

Anti-theft protection.

Coded keys with integrated transponders protect the machine against theft. The SCORPION additionally gives you the option of CESAR security registration (availability subject to country).



A high-resolution camera at the front right provides clear images even in twilight conditions.



The images from the front and rear cameras are transmitted to the monitor in the cab.

Light in every corner.

Pivoting LED work lights provide generous 360° lighting of the work environment for night work or when operating indoors in dark conditions. The long-life lights combine outstanding luminous intensity with low power consumption. The uniform light distribution and attractive near-daylight colours help to prevent fatigue.



The PROFI CAM at the rear provides the eyes at the back of the operator's head.



Halogen lights on the rear mirror bracket for illuminating the rear of the machine:

Choice of LED or halogen lights for comprehensive 360° illumination around the machine.

- 1 One halogen or two LED lights at the front of the cab roof
- 2 One LED sidefinder at the left of the cab roof
- 3 Two halogen or LED work lights on the telescopic arm
- 4 Front road transport light and indicator
- 5 Three LED lights on the mirror bracket
- 6 One halogen or two LED lights at the rear of the cab roof
- 7 One halogen or LED light on the rear mirror
- 8 One halogen or LED work light on the rear right tail light
- 9 Reversing light and indicator
- 10 Rotating beacon



Unobstructed access saves time.

The quicker it is to reach maintenance points, the more you can save on maintenance time and costs. In the SCORPION, all essential points are safely and easily reached from the ground, in a standing position and with no need to get dirty.

Many of the maintenance openings are located in the engine tray. All inspection points and fluid levels are within easy view, and the clearly laid out components in the engine compartment under the one-piece bonnet are readily accessible.

The engine air filter is in a clearly visible location on the right side of the machine. A warning icon is shown in the display if the filter becomes too severely soiled.



Good access to the fresh air filter for the cab.



Central lubrication reduces costs.

Regular lubrication reduces wear. The automatic central lubrication system ensures that all maintenance intervals are scrupulously observed. Each lubrication point is continuously lubricated with an accurately dispensed quantity of grease while the machine is in operation. The transparent grease tank is located on the left side of the machine.

All SCORPION models¹ are available with preparation for a central lubrication system. All lines required for installing such a system later are then already routed through the machine.

A thorough approach makes for a longer service life.

With the optional central grease anchor blocks, three such blocks are provided at the rear right, at the front on the axle and in an easily accessible location on the gooseneck to deliver lubrication to the entire machine. As a result, even components in poorly accessible locations can be lubricated thoroughly, quickly and easily. With this option, the grease anchor blocks are mounted at the outside for easier access to all lubrication points and lines.

¹ Not available for the SCORPION 1033

Protection for electronics.

In all SCORPION models, the fuses are placed in a compartment in the cab, protected against dust and water. The cover panel can be removed without using tools, providing easy access to all fuses.

The battery and battery disconnecter are easily accessible, securely protected in a robust housing. The automatic battery disconnecter automatically disconnects the battery from the vehicle's electrical system after 120 seconds. This provides protection against battery discharge and safeguards the vehicle's electrical system against damage from voltage fluctuations.

At the rear, the SCORPION has a 7-pin socket for trailer operation. A 4-pin socket is provided at the front, on the mast, for operating sweepers and other attached implements.



Sockets for a flexible power supply to a wide range of attached and trailed implements.



The engine air filter is very readily accessible, with no tools required for maintenance.



SCORPION TREND.

Farms and businesses where the focus is on simple, recurrent loading tasks seldom need the full range of available options. The economical TREND models feature an infinitely variable hydrostatic ground drive for accurate, precise operation at any speed.

SCORPION TREND	1033-635
Ground drive	Hydrostatic ground drive with one driving range and a max. top speed of 30 km/h
Hydraulic capacity	106 l/min, gear pump with throttle control block
Operation	Control lever with basic functions
Steering mode adjustment	Manual
Hand throttle, creep speed facility	Manual
Display	3.5" matrix display (black / white)

1 Hydrostatic ground drive



A sturdy ground drive.

In a SCORPION TREND you can rely on a proven hydrostatic ground drive with a maximum swivel angle of 32° that has been developed continuously over decades. The machine offers comfortable, infinitely variable, economical driving characteristics at ground speeds from 0 to 30 km/h (optional 20 km/h).

Powerful working hydraulics.

Whether you are handling heavy loads or would like to speed up your loading cycles – you can always rely on the powerful hydraulic system. Proportional valves allow precise control of the individual loader unit functions.

Rapid fill level checks.

- Easy checking of the hydraulic oil fill level through a sight glass
- Optional checks via the 3.5" matrix display



Working hydraulics SCORPION TREND		1033	741	736	732	635
Type		Gear pump				
Valves		Throttle control block				
Max. pump capacity	l/min	106	106	106	106	106
Max. operating pressure	bar	270	270	270	240	240



Easily readable display.

The 3.5" b/w matrix display makes for easy reading in any lighting conditions. All information is displayed clearly. The most important machine parameters are available at a glance:

- Direction and speed of travel
- Operating hours
- Status of various machine components



Ergonomic control lever.

The robustly designed control lever sits well in the hand and allows you to control the basic machine functions proportionally:

- Raise and lower the telescopic arm
- Control the dumping angle of the implement carrier
- Retract and extend the telescopic arm
- Change the direction of travel and put the ground drive into neutral
- Additional control circuit operation



Easily adjustable steering modes.

In the SCORPION TREND models, the steering mode is selected via a control lever positioned within easy reach of the operator, allowing operators to switch steering modes quickly and easily. The axles are synchronised with the assistance of LEDs.

A well thought-out workspace.

- Spacious cab with plenty of room and unique 360° all-round visibility
- Clear and logical layout of instruments in the control unit
- Perfectly coordinated ergonomics both inside the cab and for cab access
- Plenty of storage space and compartments
- Range of seat variants available for different needs and preferences
- PROFI CAM camera system for a clear view even in poor visibility conditions

Whatever it takes. CLAAS Service & Parts.



Greater reliability for your machine.

Increase your operating reliability, minimise the repair and breakdown risk. MAXI CARE offers you predictable costs. Create your own individual service package to meet your particular requirements.



CLAAS Service & Parts is always there for you, 24/7.
service.claas.com



Specially matched to your machine.

Precision-manufactured parts, high-quality consumables and useful accessories. Choose our comprehensive product range to be certain to receive precisely the right solution and ensure that your machine is 100% reliable.



For your business: CLAAS FARM PARTS.

CLAAS FARM PARTS offers one of the most comprehensive ranges of multi-brand parts and accessories for all agricultural applications on your farm.



Global supply.

The CLAAS Parts Logistics Center in Hamm, Germany, stocks almost 200,000 different parts and has a warehouse area of over 183,000 m². This central spare parts warehouse delivers all ORIGINAL parts quickly and reliably all over the world. This means that your local CLAAS partner can supply the right solution for your harvest or your business within a very short time.

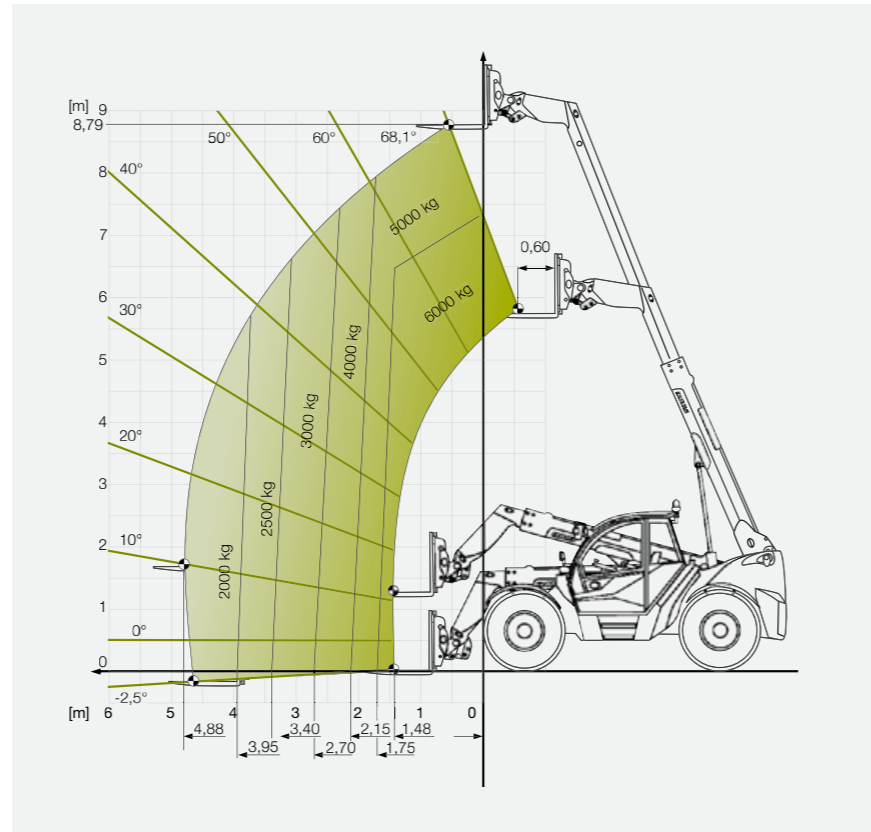


Your local CLAAS distributor.

Wherever you are, you can count on us to always provide you with the service and the contact persons you need. Your CLAAS partners are on hand in your local area, ready to support you and your machine around the clock. With know-how, experience, commitment and the best technical equipment. Whatever it takes.

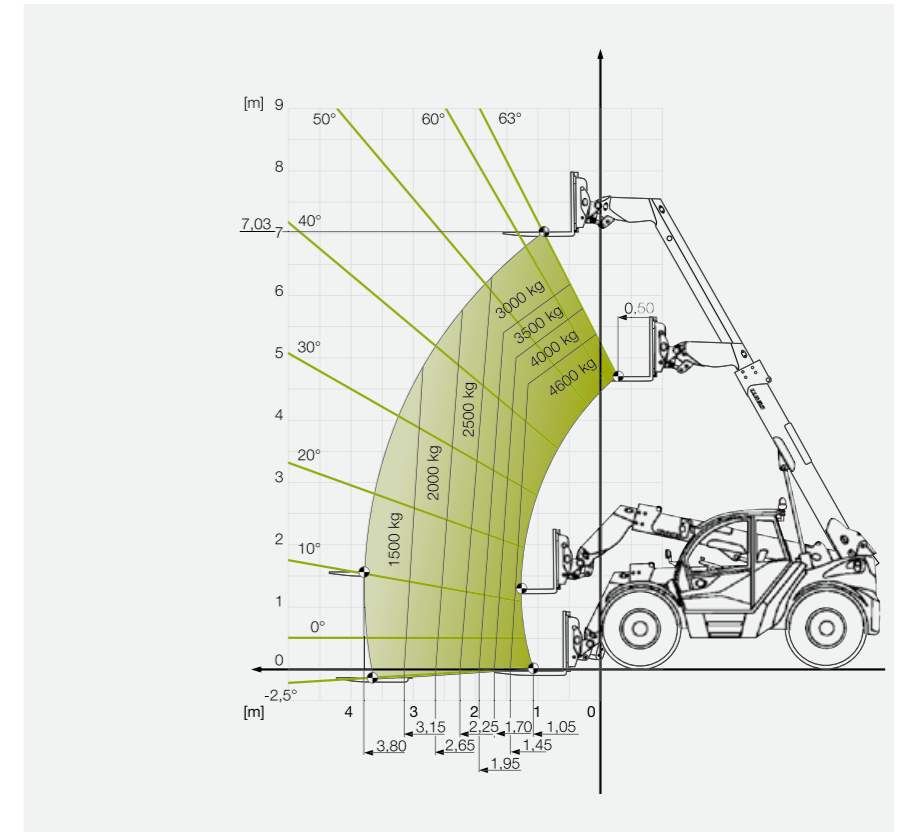
SCORPION 960

Load capacity chart with load centre (LC) 600 mm



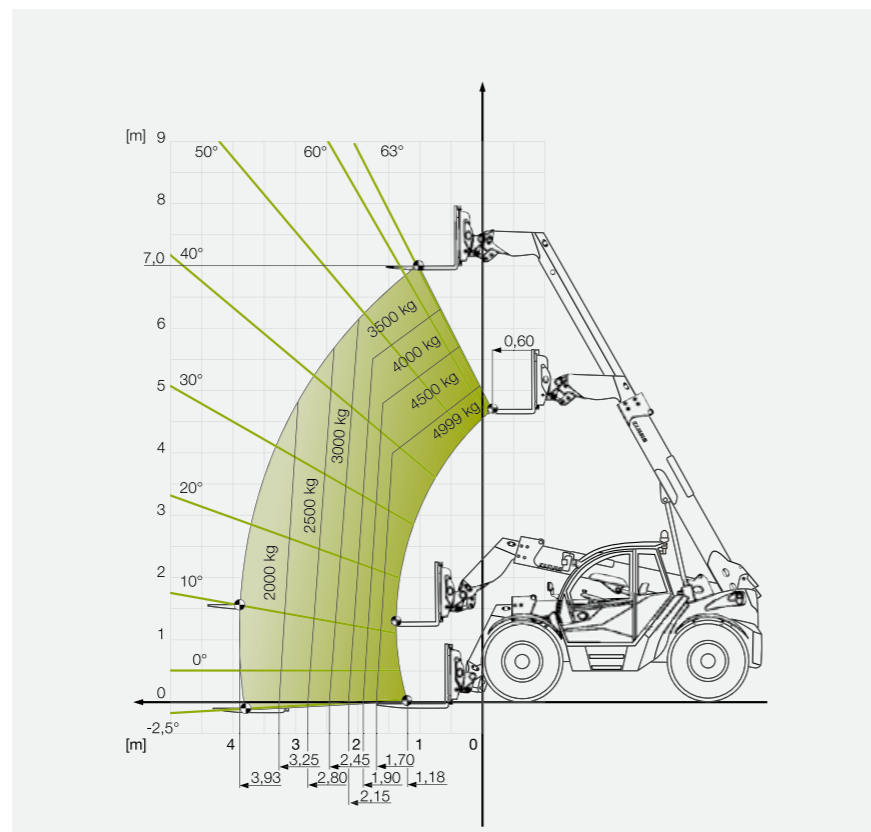
SCORPION 746

Load capacity chart with load centre (LC) 500 mm



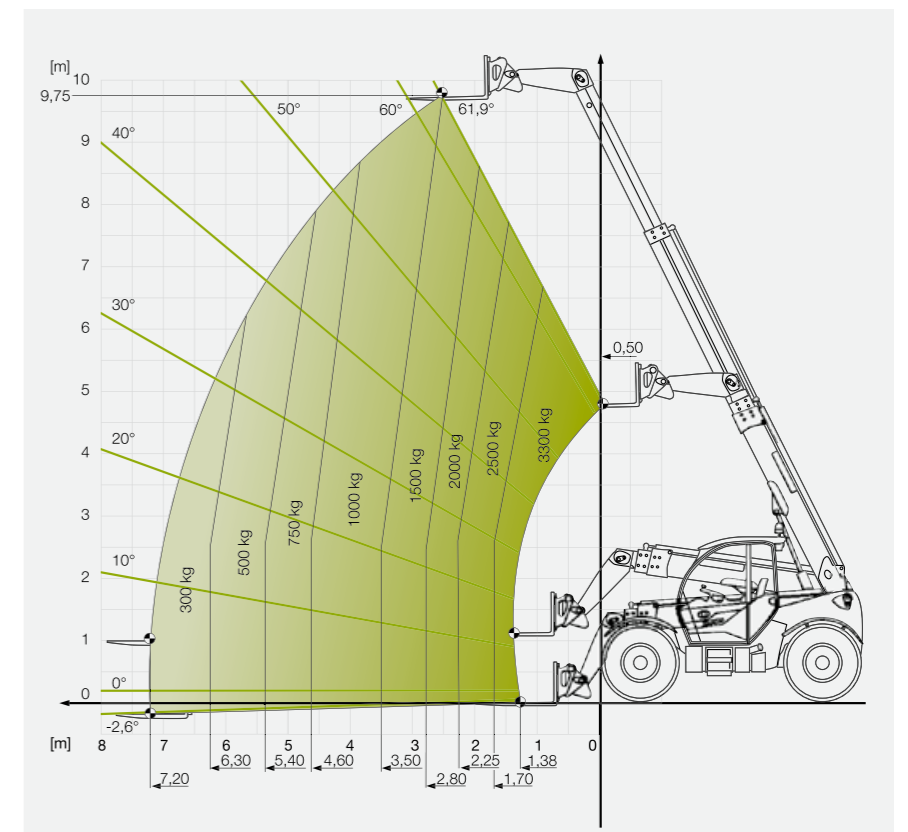
SCORPION 756

Load capacity chart with load centre (LC) 600 mm



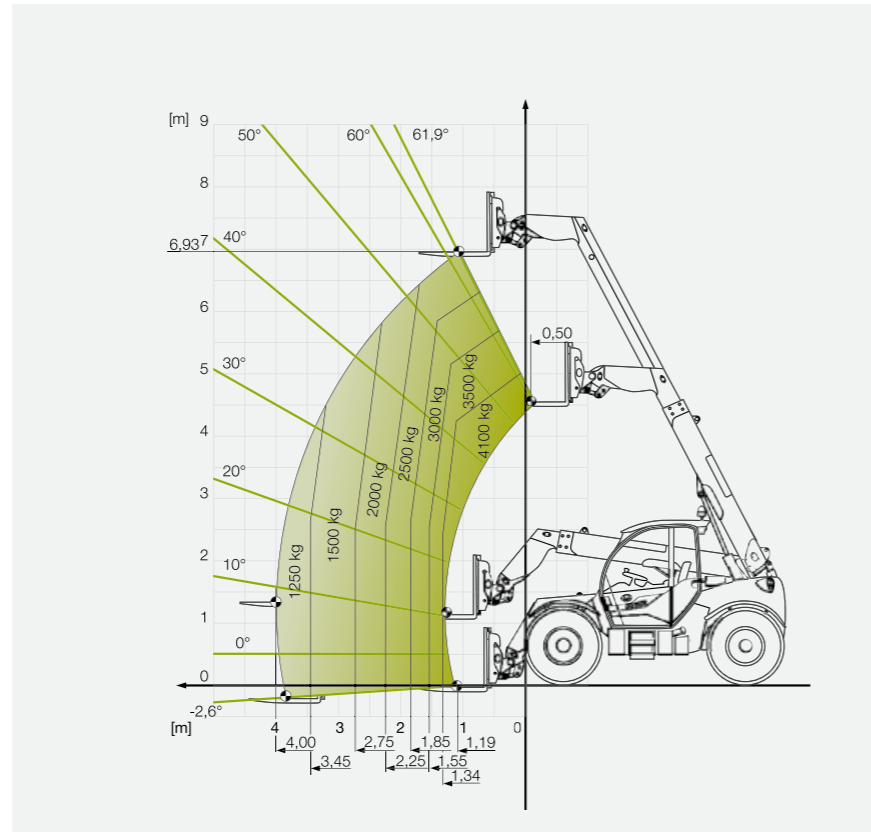
SCORPION 1033

Load capacity chart with load centre (LC) 500 mm



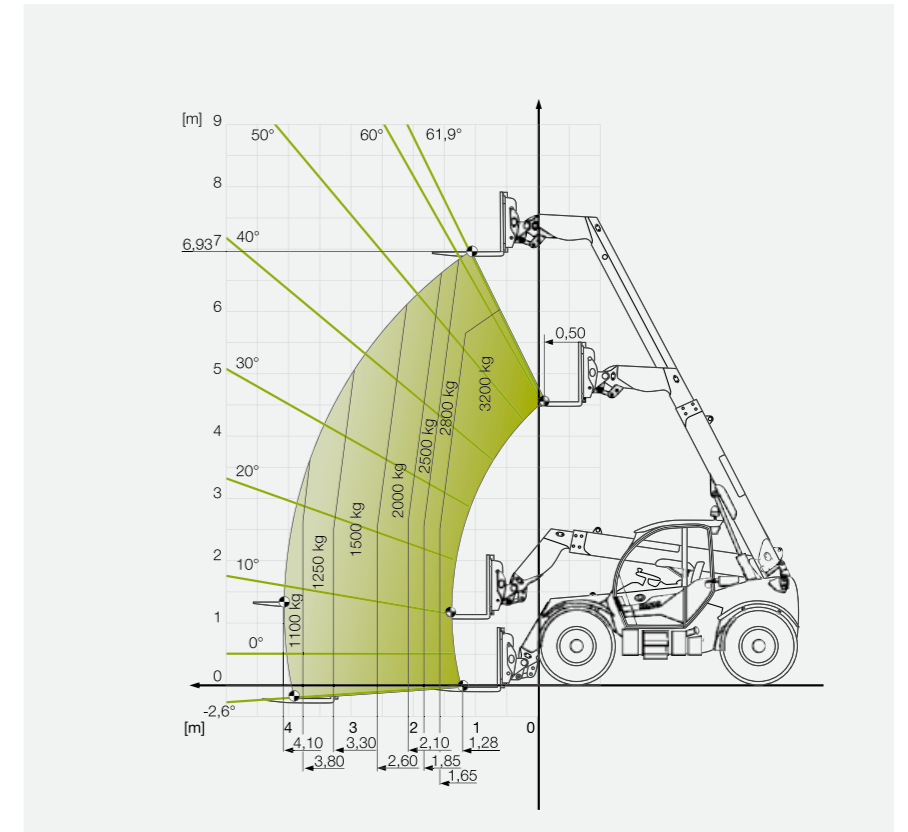
SCORPION 741

Load capacity chart with load centre (LC) 500 mm



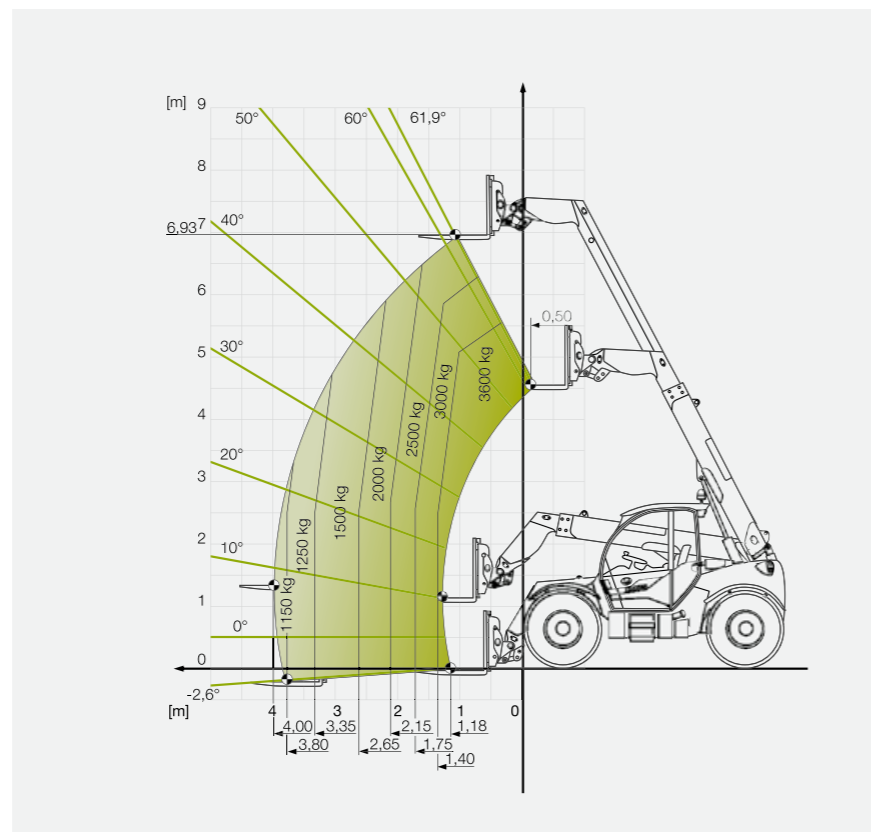
SCORPION 732

Load capacity chart with load centre (LC) 500 mm



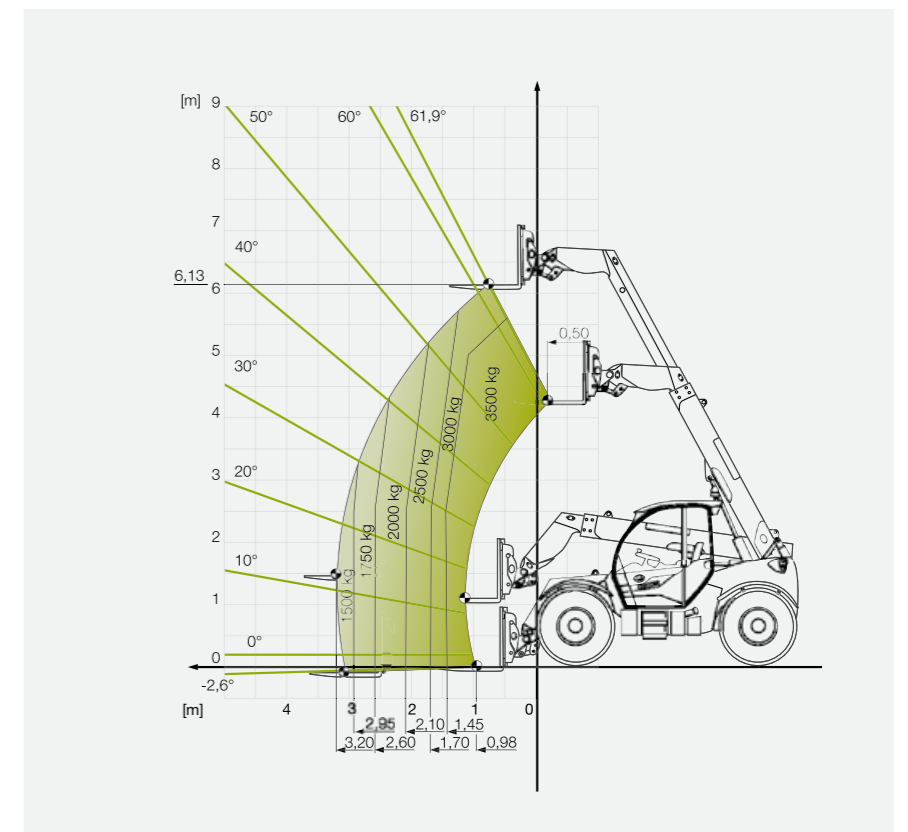
SCORPION 736

Load capacity chart with load centre (LC) 500 mm



SCORPION 635

Load capacity chart with load centre (LC) 500 mm



Delivering impressive benefits.



Drive train.

- High-torque Deutz engines delivering up to 115 kW/156 hp
- Efficient VARIPOWER PLUS / VARIPOWER ground drives for maximum power and great accuracy
- Infinitely variable driving up to 40 km/h
- Improved SMART ROADING for noise-minimised driving and reduced fuel consumption – at speeds from 1,900 rpm
- Hand throttle with creep-speed facility
- Intelligent parking brake for maximum comfort and convenience
- Manual crab steering as fourth steering mode

Loader unit.

- Lift capacities from 3.2 to 6.0 t
- Lift heights from 6.13 to 9.75 m
- Powerful working hydraulics with up to 200 l/min
- Oscillation damping with automatic function
- External pressure relief for the third control circuit

Operator assistance systems.

- SMART LOADING with automatic bucket return, shake function for the tilt cylinder
- DYNAMIC POWER and fine-tuned control of the working hydraulics for optimal precision

Cab.

- New cab concept for outstanding ergonomics and safety with maximum all-round visibility
- 3.5" or 7" colour display
- Steering column with three-way adjustment
- PROFI CAM camera system for a clear view even in poor visibility conditions

SCORPION		960	756	746	1033	741	736	732	635
Loader unit									
Lift capacity	kg	6000	5600	4600	3300	4100	3600	3200	3500
Lift height	mm	8780	7030	7030	9750	6930	6930	6930	6130
Engine									
Manufacturer		Deutz	Deutz	Deutz	Deutz	Deutz	Deutz	Deutz	Deutz
Model		TCD 4.1 L4	TCD 4.1 L4	TCD 3.6 L4	TCD 3.6 L4	TCD 3.6 L4	TCD 3.6 L4	TCD 3.6 L4	TCD 3.6 L4
Layout / number of cylinders		R 4	R 4	R 4	R 4	R 4	R 4	R 4	R 4
Displacement	cm ³	4038	4038	3621	3621	3621	3621	3621	3621
Output at 2400 rpm (ECE R 120) ¹	kW/hp	115 / 156	115 / 156	100 / 136	100 / 136	100 / 136	100 / 136	100 / 136	100 / 136
Max. torque at 1600 rpm	Nm	609	609	500	500	500	500	500	500
Exhaust gas aftertreatment Stage V		SCR / DOC-DPF							
Exhaust gas aftertreatment Stage IIIA (Tier 3)		–							
Working hydraulics									
LS pump, load-sensing (LS) valves	l/bar	max. 200/270 ²	max. 200/270 ²	max. 200/240 ²	160/270 ³	160/270 ³	160/270 ³	160/240 ³	160/240 ³
Spool valve		4x (standard), 5x (option)				4x (standard), 5x (option)			
Pressure release, third control circuit		○	○	○	○	○	○	○	○
Ground drive									
Hydrostatic		VARIPOWER PLUS	VARIPOWER PLUS	VARIPOWER	VARIPOWER	VARIPOWER	VARIPOWER	VARIPOWER	VARIPOWER
Driving ranges ⁴	km/h	0-15/0-30/0-40 ⁵	0-15/0-30/0-40 ⁵	0-15/0-30/0-40 ⁵	0-15/0-30/0-40 ⁵	0-15/0-30/0-40 ⁵	0-15/0-30/0-40 ⁵	0-15/0-30/0-40 ⁵	0-15/0-30/0-40 ⁵
Max. top speed ⁶	km/h	30/40 ¹	30/40 ¹	30/40 ¹	30/40 ¹	30/40 ¹	30/40 ¹	30/40 ¹	30/40 ¹
Tank capacity overview									
Fuel tank	l	190	190	190	150	150	150	150	150
Urea tank	l	20	20	10	10	10	10	10	10
Hydraulic oil tank	l	260	230	230	140	140	140	140	140
Axles									
Front axle									
Front differential lock		Locking differential 100%				Self-locking differential 45%			
Steering lock	degrees	40	40	40	35	35	35	35	35
Hydraulic levelling +/-	degrees	8	–	–	8	–	–	–	–
Rear axle									
Angle of oscillation	degrees	10				11			
Steering lock	degrees	40	40	40	35	35	35	35	35
Service brake									
Type		Foot-operated hydraulic power brake (closed-circuit, wet)				Foot-operated hydraulic power brake (closed-circuit, wet)			
Location		Front and rear axle				Front axle			
Parking brake									
Type		Electrohydraulic disc brake				Electrohydraulic disc brake			
Location		Spring-type actuator in the front axle				Spring-type actuator in the front axle			
Weights									
Kerb weight with VARIPOWER equipment ⁷	kg	11700	10600	8995	8230	7640	7420	7585	7510
Maximum permissible gross weight	kg	13000	13000	12000	8600	8600	8600	8600	8600

SCORPION		960	756	746	1033	741	736	732	635
SMART LOADING / electronics expertise									
Automatic bucket return		○	○	○	○	○	○	○	○
DYNAMIC POWER		○	○	○	–	–	–	–	–
Precision control of working hydraulics		○	○	○	–	–	–	–	–
TELEMATICS		○	○	○	○	○	○	○	○
Tilt cylinder shake function		●	●	●	–	–	–	–	–

SCORPION		960	756	746	1033	741	736	732	635
Tyre sizes									
		Vehicle width⁸							
405/70-20 Mitas MPT 01, agricultural tyres	m	–	–	–	2.38	2.38	2.38	2.38	2.38
400/70-24 Mitas MPT 04, agricultural tyres	m	–	–	–	2.38	2.38	2.38	2.38	2.38
405/70-24 Mitas MPT 01, agricultural tyres	m	–	–	–	2.38	2.38	2.38	2.38	2.38
405/70-24 Mitas MPT 04, agricultural tyres	m	–	–	–	2.33	2.33	2.33	2.33	2.33
405/70 R 24 Dunlop SP SPT9, multi-purpose tyres	m	–	–	–	2.38	2.38	2.38	2.38	2.38
440/80 R 24 Michelin Power CL, agricultural tyres	m	2.50	2.50	2.50	–	–	–	–	–
460/70 R 24 Firestone Duraforce Utility, industrial tyres	m	–	–	2.50	2.39	2.39	2.39	2.39	2.39
460/70 R 24 Michelin XMCL, agricultural tyres	m	–	2.51	2.51	2.39	2.39	2.39	2.39	2.39
460/70 R 24 Alliance A580, agricultural tyres	m	–	2.50	2.50	2.39	2.39	2.39	2.39	2.39
460/70 R 24 Michelin Bibload, multi-purpose tyres	m	–	2.51	2.51	2.39	2.39	2.39	2.39	2.39
500/70 R 24 Alliance Multiuse, multi-purpose tyres	m	2.52	2.52	2.52	–	–	–	–	–
500/70 R 24 Alliance A580, agricultural tyres	m	2.52	2.52	2.52	–	2.44	2.44	–	–
500/70 R 24 Nokian TRI2, multi-purpose tyres	m	2.51	2.51	2.51	–	–	–	–	–
500/70 R 24 Michelin XMCL, agricultural tyres	m	2.52	2.52	2.52	–	2.44	2.44	–	–
500/70 R 24 Michelin Bibload, multi-purpose tyres	m	2.52	2.52	2.52	–	–	–	–	–
500/70 R 24 Firestone Duraforce Utility, industrial tyres	m	–	–	2.52	–	2.43	2.43	–	–
480/80 R 26 Michelin XMCL, agricultural tyres	m	2.51	–	–	–	–	–	–	–
480/80 R 26 Michelin Bibload, multi-purpose tyres	m	2.52	–	–	–	–	–	–	–
600/55-26.5 Alliance I-3 16PR, agricultural tyres	m	2.54	2.54	2.54	–	–	–	–	–

¹ In accordance with ISO 14396

² At 2,300 rpm

³ At 1,900 rpm

⁴ With a maximum top speed of 30 km/h in combination with the VARIPOWER PLUS / VARIPOWER ground drive, the tortoise speed range is 0–22 km/h.

⁵ All VARIPOWER models are also available as 30 km/h variants

⁶ All models are also available as 20 km/h variants irrespective of the transmission type

⁷ For the VARIPOWER equipment option with standard pallet forks, without driver, with a full tank of diesel and minimum equipment. Tyres: Michelin XCML 460/70-24

⁸ About tyres

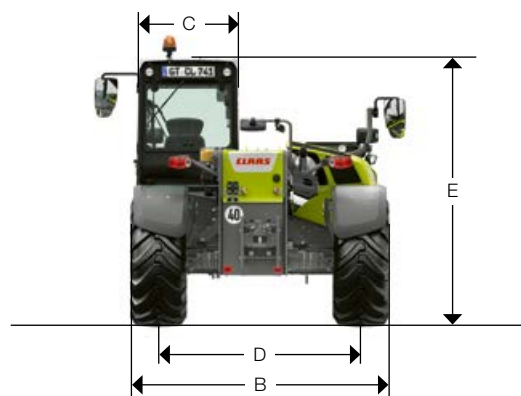
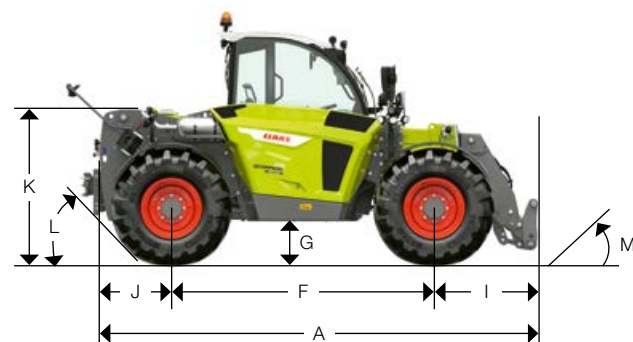
CLAAS continually develops its products to meet customers' practical needs. This means that all products are subject to change without notice. All descriptions and specifications in this brochure should be considered approximate and may include optional equipment that is not part of the standard specifications. This brochure is designed for worldwide use. Please refer to your nearest CLAAS distributor and their price list for local specification details. Some protective panels may have been removed for photographic purposes in order to illustrate functions. To avoid any risk or danger, never remove these protective panels yourself. In this respect, please refer to the relevant instructions in the operator's manual. All technical specifications relating to engines are based on the European emissions regulation standards: Stage. Any reference to the Tier standards in this document is intended solely for information purposes and ease of understanding. It does not imply approval for regions in which emissions are regulated by Tier.

SCORPION			960	756	746	1033	741	736	732	635
Dimensions										
A	Length including implement carrier	mm	5760	5030	5002	4950	4752	4752	4752	4452
B	Overall width (without mirror)	mm	2521 ¹	2521 ¹	2514 ¹	2380 ¹	2380 ¹	2380 ¹	2380 ¹	2380 ¹
C	Cab width (exterior)	mm	969	969	969	941	941	941	941	941
D	Track width	mm	2010	2040	1950-2040 ²	1920	1920	1920	1920	1920
E	Overall height (without warning beacon)	mm	2622	2655	2590	2465	2465	2465	2465	2465
F	Wheelbase, middle	mm	3150	2950	2950	2850	2850	2850	2750	2750
G	Ground clearance	mm	438	410	410	405	405	405	405	405
H	Turning radius over wheels ³	mm	4090	3902	3833	3906	3906	3906	3812	3812
I	Distance front-wheel centre line to front of implement carrier	mm	1108	1177	1177	1471	1272	1272	1372	1073
J	Rear overhang (without trailer hitch)	mm	1217	1019	977	784	784	784	784	784
K	Height to telescopic arm articulation point in frame	mm	1848	1693	1693	1530	1530	1530	1530	1530
L	Rear approach angle	degrees	29	32	32	46	46	46	46	46
M	Pallet fork tilt-in angle, bottom	degrees	20	20	20	12	13	13	13	13
N	Pallet fork tipping angle, top	degrees	64.0	66.4	66.4	20.0	44.0	44.0	44.0	44.0
	Total implement carrier rotation angle	degrees	152	152	152	126	150	150	150	150

¹ 460/70 R 24

² May also be dependent on tyres

³ Theoretical value, turning radius varies according to tyres



Ensuring a better **harvest**.

CLAAS UK
Saxham
Bury St. Edmunds
Suffolk
IP28 6QZ
Tel 01284 763100
claas.co.uk
info-uk@claas.com

365FarmNet enables you to manage your entire agricultural business by means of a single, non-proprietary software solution. Interfaces to intelligent applications created by partners in the agricultural sector offer expert support for your business 365 days a year. CLAAS is a 365FarmNet partner.

www.365farmnet.com

