

NOVADISC NOVACAT

PÖTTINGER front- and rear-mounted disc mowers





Disc mowers for the perfect cut

A precision mowing process is the starting point for high forage quality. Farmers expect the best-possible ground tracking, minimal disintegration losses and precision mowing without wasting any time in the field. Our front and rear-mounted mowers minimise forage contamination thanks to their excellent balance and ability to follow undulations in the terrain. The result is maximum forage quality for your livestock.

NOVADISC rear-mounted mowers feature a lightweight construction for high output and a clean cut while requiring the lowest power input.

NOVACAT front and rear-mounted mowers ensure first-class cutting quality, durability and output. Our NOVACAT rear-mounted mowers with centre-pivot mounting can be equipped with swathing discs, tine-type conditioners or roller-type conditioners. NOVACAT rear-mounted mowers with centre pivot mounting and adjustable weight alleviation deliver the best forage quality and lowest contamination thanks to their excellent ground tracking capabilities. Yet another product development that adds to our reputation as the grassland specialist.

Contents

	Page
PÖTTINGER cutter bars	4
NOVADISC mowers with conditioners	11
NOVACAT mowers with centre pivot mounting	17
NOVACAT front-mounted mowers	22
ED / RCBB conditioners	26
Technical data	28
Standard & Optional Equipment	30

All information on technical data, dimensions, weights, output, etc. is approximate and is not binding.

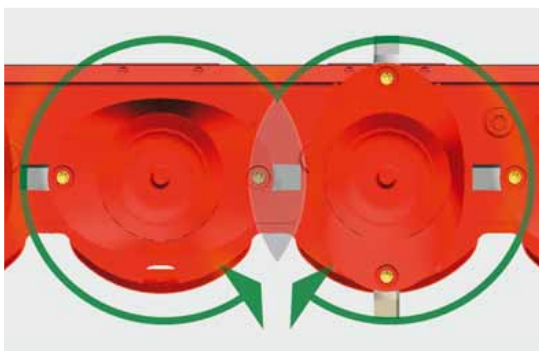
PÖTTINGER cutter bars

Quality made in Austria

Check out this video 
"The making of a cutter bar"
www.poettinger.at/video/cutterbar

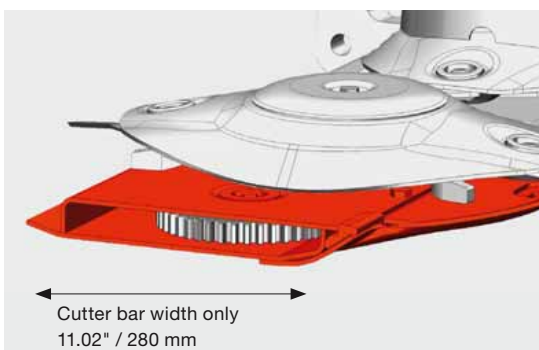


The heart of PÖTTINGER disc mowers is the cutter bar, proven over thousands of cuts in the field. NOVACAT disc mower cutter bars are developed and built at the company's main plant in Grieskirchen – a quality product made in Austria. First class cutting quality, low drag resistance and strength are the trademarks of these cutter bars. Engineered details guarantee you reliable operation and contribute significantly to an extended service life.



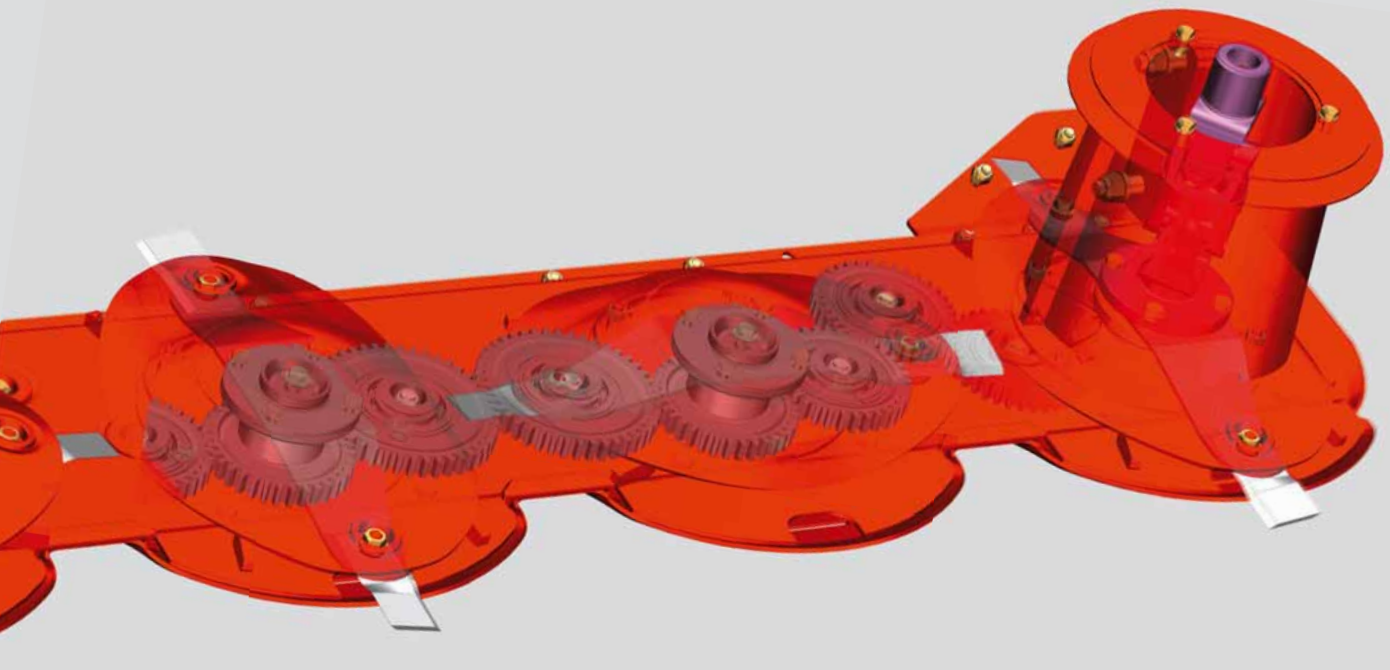
Optimum crop flow – clean forage

The rounded, low profile front edge lets the cutter bar glide smoothly over the ground and separates the crop tidily from the sward. The conveyor effect has been improved by the rounded conical surfaces of the mower discs. The crop flows through smoothly and uniformly, maintaining full cutting capacity in all operating conditions. Integrated paddles keep the cutter bar surface clean.



Perfect cutting quality

The sleek cutter bar is only 11.02" / 280 mm deep, perfect for enabling the best possible ground tracking. The mower blades rotate very close to the surface of the cutter bar and the counter knife. The optimised overlap of blade paths ensures a clean and uniform mowing pattern.



Engineered to impress

High-strength stub shafts

The stable stub shafts are bolted to the gears and are thus easy to replace when required.

HEAVY DUTY bearings

Durable, twin race tapered bearings with a theoretical bearing spacing of 2.36" / 60 mm are extremely stress-resistant.



TRI DRIVE – Optimised gears

Reliable power transmission

The spur gear drive runs in a straight line with virtually the same sized gears. All gears are hardened and machined for smooth running and a long service life.

- New gear pairs with the same diameter 39 / 50.
- Three teeth in contact – better power transmission – softer starting characteristics.
- New surface on gears ensures smoother running and a reduction in noise level.



Wear resistant skids

Wide skids made from hardened boron steel to resist impact and prevent the build-up of soil. Because the underside of the cutter bar is smooth with contoured skids inside and outside, it protects the sward even on tight corners.

As an option, you can fit additional wear skids to protect the underside of the cutter bar. The bolted skids can be easily changed if required.

Optional high-cut skids can be mounted to increase the cutting height from 1.97 and 4.72" / 50 to 120 mm. Their large radius and wide surface area make them especially wear resistant.

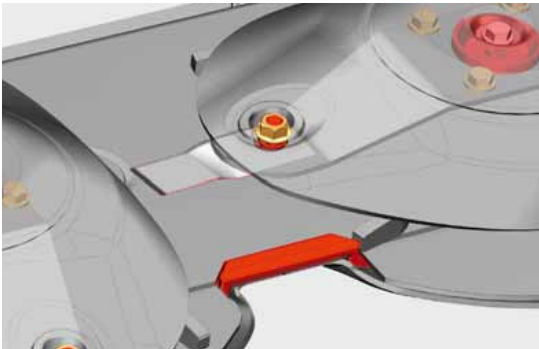
- High-cut skids + 0.79" / 20 mm the universal skid especially for stony soil.
- High-cut skids + 1.57" / 40 mm, especially for field forage.
- NEW: High-cut skids also for both outer skids.

Durable mower discs

The oval, low profile mower discs are made of hardened fine-grained steel. Quick-change blades make maintenance easy.

Optional feed cones

These improve the crop flow and enable swath formation.



Top quality

The cutter bar is made from the best quality steel. The metal plate is precision laser-cut and robot-welded before machining at the state of the art CNC machining centre.

- The blade pin is bolted to the mower disc. This can be replaced cost-effectively if required.
- The counter knife is clamped in place, meaning it is also easy to replace.



Easy with quick-change blades

Change blades quickly and easily: Press down the spring clip with the blade tool and replace the blade.

Quick-change blades for a clean and smooth cut

- The blade is locked securely in place by the spring clip.
- Long, tough jobs demand the best quality blades. PÖTTINGER blades are made from high-quality knife steel.
- The blade pin is bolted to the mower disc. This can be replaced cost effectively if required.
- A handy blade box provides space for replacement blades.



Easy service

NOVADISC and NOVACAT



Practical modular design

The bearing flange and fittings are reliably protected by rubber o-ring seals. The gears and bearings can be removed as one unit, while the idler gears are easily removed through the openings – it could not be more straightforward.



Best accessibility

We take ease of maintenance seriously. The guards fold well away to provide optimum access to the cutter bar. Now you can change blades quickly and easily.



Save time with maximum service friendliness

Low maintenance driveline

We have increased driveshaft lubrication intervals to 150 hours and the PTO shafts are easily accessible. As a result they are easy to service. Practical PTO shaft holder makes hitching up easier.





Drive from the field onto the road without leaving the cab

The side guards are strong full-length pressed steel parts.

- Hydraulic folding is available if required.
- For NOVACAT rear-mounted mowers with vertical transport position.
- For NOVACAT front-mounted mowers.



Space-saving parking

With the optional parking stands the mower can be parked in the smallest of spaces.

- For NOVACAT rear-mounted mowers with vertical transport position.
- The parking stands are CE approved.



40

NOVADISC 350

PÖTTINGER

NOVADISC

Lightweight and low resistance



The key objective in developing the NOVADISC rear-mounted mower without conditioner was to keep weight as low as possible. These lightweights are smooth running and with working widths between 7.22 and 12.73' / 2.20 and 3.88 m offer a high output, even on tractors with a wide overall width or with double rims. That is why we have developed two different linkage options.

Ground tracking

Two suspension springs guarantee excellent ground tracking of the cutter bar, even when mowing embankments. Pressure on the ground can be adjusted by setting the lower linkage height and the weight alleviation springs.



Cutter bar lowers on outside first

NOVADISC lifting system

The mower is lowered so that the outer end of the cutter bar contacts the ground first. At the headland, the inside end is lifted first, providing optimum protection of the sward.

Smooth running and reliable

A key feature is the lightweight cutter bar without inside shoe. The cutter bar gearbox is behind the first mower disc. This means you can mow into corners and over rough ground no problem. The V-belt drive system operates efficiently and smoothly. A heavy-duty intake section ensures high strength.



HEAVY DUTY input gearbox



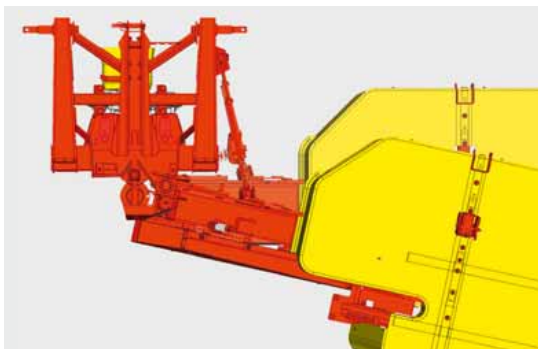
Rugged and adaptable

Mounting points at each end of the cutter bar protect it against twisting. As a result, the gears and bearings are subjected to less stress to guarantee smooth operation and a long service life. The wide +22 / -30 degree arc of movement enables easy mowing on rough surfaces and embankments.



Ingenious headstock

- Thanks to the adjustable mounting pins, these mowers can be hitched up to your tractor quickly and easily.
- Two headstocks are available for outer track widths of 5.91 – 7.22' / 1.8 – 2.2 m and 7.22 – 8.53' / 2.2 – 2.6 m.
- Practical PTO shaft holder makes hitching up easier.
- A handy blade box provides space for replacement blades.
- The blade tool is kept on the machine.
- PTO shaft lubrication interval has been increased to 150 hours. The PTO shafts are easily accessible and easy to maintain.



Collision safety device protects against damage

The mechanical collision safety system provides a swing arc of approx. 12°. Damage to the mower is thus avoided in the event of a collision. After it has been triggered, simply reverse a short distance to engage the cutter bar again.



Convenient and straightforward

The guards fold away to provide optimum access to the cutter bar. This makes it possible to clean the machine thoroughly and change blades quickly and easily.

For your safety

The guard curtains are made from especially tough material to reliably catch stones and soil.



Safe and practical

A mechanical safety interlock provides the necessary safety during road transport. The outer guards can be folded inwards to reduce transport height.



NOVACAT

Rear-mounted disc mowers with or without conditioner



Hitching up made easy

Hydraulic lower linkage arm

The hydraulic lower linkage arm makes it easy for you to hitch up without having to adjust the linkage struts on the tractor. This ensures you always have the right weight alleviation and plenty of ground clearance at headlands. A turnbuckle provides the right setting on the NOVACAT 262 and NOVACAT 302 without conditioner.

Variable hitching made easy

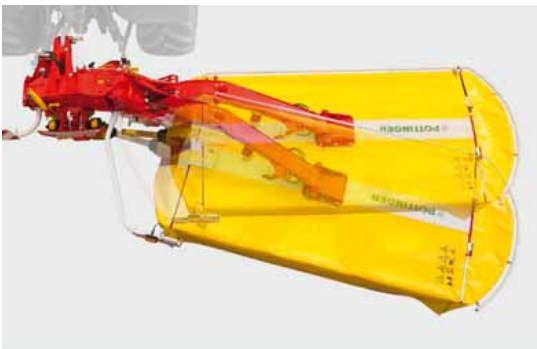
Thanks to the adjustable mounting pins, these mowers can be hitched up to a wide range of tractor types quickly and easily. As a result you make full use of the whole mowing width.

- Practical PTO shaft holder makes hitching up easier.
- A handy blade box provides space for replacement blades.
- The blade tool is kept on the machine.



Collision safety device

If the mower collides with any obstacles, the cutter bar can fold back through a wide arc to the rear. The triggering force is adjustable. A hydraulic collision safety device is also available as an option.



NOVACAT

Rear-mounted mowers with vertical transport position



**NOVACAT 262 / 262 ED / 262 RCB / 302 / 302 ED / 302 RCB
NOVACAT 352 V**

Drive system

The driveline transmits power directly from the PTO shaft to the angular gearbox and then via a double universal joint in the inner drum stress-free to the gear on the first mower disc. Exceptional smooth running is guaranteed.

- A friction clutch and freewheel provide optimum protection.
- The gears run submerged in oil.

Cutter bar suspended at both ends

Mounting points at each end of the cutter bar protect it against twisting. As a result, the gears and bearings are subjected to less stress for smoother operation and a long service life.

Practical transport position

The cutter bar is raised using double-acting spool valves. A low transport height is achieved by folding the mower through 115°. The centre of gravity is on the tractor's centreline and the driver has a clear view to the rear in both side mirrors.





Centre pivot mounting for optimised ground tracking

The wide ± 22.5 degree arc of movement enables easy mowing on rough surfaces and embankments.

The NOVACAT centre pivot mounting supports the cutter bar evenly over the entire cutting width. This reduces the power input required – an enormous advantage when mowing with a conditioner.



Developed by PÖTTINGER – the “floating cut” is the decisive factor

Since the mid-80s, our mower developments have focussed on the “floating cut”. Optimised ground tracking and sward conservation thanks to reduced pressure on the ground is what farmers demand on all mowers.



Effective weight alleviation

Hydraulic weight alleviation **(1)** provides uniform ground pressure over the whole cutter bar width. The pressure of the cutter bar on the ground can be infinitely variable adjusted depending on the condition of the ground and the conditioner or swath formers fitted. No additional filling hose is required and you can read the current pressure at the pressure gauge.

In dry, hard conditions the ground pressure can be increased to stabilise the cutter bar at high driving speeds. Damp, soft conditions require a reduction in ground pressure to ensure the best ground tracking and conservation of the sward.



NOVACAT

Rear-mounted mowers with horizontal transport position



NOVACAT 352 / 352 ED / 352 RCB NOVACAT 402 / 442

Top performance for rear mowers

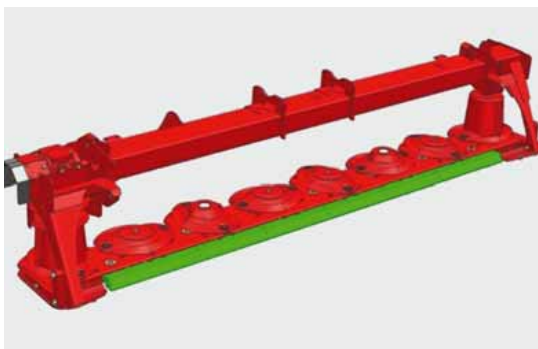
The top end of our rear-mounted mower range without conditioners is represented by the NOVACAT 402 and 442 with working widths of 12.73 and 14.11' / 3.88 and 4.30 m. NOVACAT 402 and 442 deliver high output and are designed especially for tractors without a front PTO.

NOVACAT 352, 352 ED and 352 RCB have a mowing width of 11.35' / 3.46 m. Our NOVACAT 352 with tine-type or roller-type conditioner enable a front/rear combination with conditioners to mow up to 20.34' / 6.20 m wide.



Perfect linkage

The hydraulic lower linkage arm guarantees easy hitching even with these wide mowers and plenty of ground clearance at headlands.



HEAVY DUTY cutter bar

An additional cutter bar reinforcement is offered as an option for especially stony areas. Standard on NOVACAT 402 / 442.



Paddle drums at both ends of the cutter bar place a neat swath leaving a tidy wheel track clear. The swath can be divided with two feed drums (optional). The tractor can then drive along a cleared track instead of along the edge of the swath (NOVACAT 402 / 442).

Flexible

With the cutter bar mounting rotated through 180° it can be adapted to match front mower cutting widths of 9.84 and 11.48' / 3.0 and 3.50 m.



Narrow, low transport

The mower is folded backwards hydraulically for transport. The folding mechanism also doubles as a collision safety device. The cutter bar is also secured using a stabiliser cylinder.

19.69" / 500 mm ground clearance

At the headland, ground clearance is 19.69" / 500 mm. During lifting, the cutter bar is secured using a stabilizer cylinder. This makes it easier to drive over swaths and provides stability during transport.





NOVACAT 352 CF

Swath merging with cross flow auger



NOVACAT 352 CF (CROSSFLOW) **Swath merging without conditioner**

The NOVACAT 352 CF, PÖTTINGER now offers a cost-effective and lightweight system for merging swaths. Its low weight and low power requirement greatly reduce fuel consumption.

Cost effective system

The NOVACAT 352 CF allows you to profit from much lower investment costs for a swath merging system. This innovative solution does not need a conditioner and enables a weight reduction of 30 % compared to conventional systems. Thanks to its low power requirement, you save on fuel costs.

Straightforward and flexible

It is easy to switch between wide spreading or swath placement by manually opening the cover. Because the cross conveyor auger runs inside a closed casing, all the crop is conveyed to the adjacent swath without losses.



NOVACAT CLASSIC

Front mounted mowers



Modern design – classic reliability

Minimum weight was the main priority when designing the CLASSIC generation of front mowers. The compact construction of the sleek headstock and the implementation of lightweight pressed components are the key features of these mowers. The demand for effective suspension to optimise ground tracking has also been met in full by our NOVACAT CLASSIC.



Straightforward, practical weight alleviation

Two powerful springs ensure a uniform ground pressure over the whole width of the cutter bar. The chain length can be used to quickly optimise the pressure of the cutter bar.



Ultimate ground tracking

The headstock is the trademark of perfect ground tracking. The sophisticated linkage geometry brings the centre of gravity as close to the tractor as possible in all working positions.

Gimbals on the cutter bar guide arms guarantee smooth freedom of movement. With a travel of ± 8 degrees, the mower is guided accurately over each bump in the ground.

Stabiliser springs inside the headstock keep the mower centred during transport.



Individually adjustable swathing discs

The four outer mower discs rotate inwards in pairs. The individually adjustable swathing discs place the forage in a swath of the desired width.

Additional swathing discs are available for even narrower swath placement.



Drive from the field onto the road without leaving the cab

The side guards are strong full-length pressed steel parts. Hydraulic folding is available if required.



Wide front mower

The NOVACAT 351 CLASSIC joins the top end of our modern range of front-mounted mowers without conditioners. Even with this wide mower, the compact construction of the headstock places the centre of gravity very close to the tractor. This makes perfect ground tracking possible.

NOVACAT ALPHA MOTION

Front mounted mowers



Mowing without limits

ALPHA MOTION technology is based on the advanced design of the mower mounting frame. Compared to other mounting systems, not only do the guide arms respond to every undulation of the terrain, but also the mounting frame itself. As a result, the cutter bar inclines upwards over bumps and slants downwards into dips.



The ultimate headstock

You can hitch up these mowers to any tractor between 60 and 360 hp, regardless of tractor make and type. The different types of hitch have no influence on the guidance of the mower.

The cleverly thought out geometry of the headstock places the centre of gravity as close as possible to the tractor in all working positions.

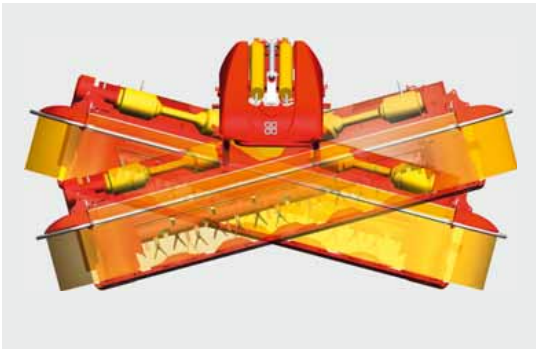
Unique ground tracking

Unique ground tracking to protect the sward and the machine.

Two powerful springs are integrated in the headstock. The springs ensure an even release of the mowing unit over a distance of 19.69" / 500 mm. A simple, yet highly effective pressure for all usage types.

The mower unit is also raised when there is an incline and lowered for downhill slopes.





Transverse movement

A unique +/-16 degrees of transverse movement is offered thanks to the gimbals in the guide arms.



The advantages of ALPHA MOTION

- Extremely effective suspension provides a total vertical travel of 19.69" / 500 mm.
- Inclination angles of 12° upwards and 9° downwards prevent the cutter bar from damaging the sward. Sward and machine conservation at their best.
- The mower can be driven at high speed without the cutter bar rising.
- A huge ground clearance of 13.78" / 350 mm is provided at headlands and in the transport position.
- Thanks to its unique design, the driver has a perfect view of the cutter bar.
- The mower moves virtually on a vertical plane, minimising telescoping of the PTO shaft and greatly reducing dynamic stress.

Unique ground tracking to protect the sward and the machine



Models with conditioners

ED tine-type conditioner
RCB roller-type conditioner



ED tine conditioner

The EXTRA DRY conditioner is a joint development with the Institute of Agricultural Engineering (IMAG-DLO) in Wageningen (Holland) that started in 1997 to prove there is a better way. Your forage dries measurably faster thanks to the adjustable conditioning intensity and wide placement.

V-shaped steel tines of hardened steel guarantee a continuous flow of crop and an extended service life. The tines are mounted on rubber elements in a spiral configuration on the conditioning roller.

EXTRA DRY drying accelerator

The tine rotor propels the forage across an adjustable conditioning plate. Adjustable guide vanes distribute the flow of crop over the whole mowed width. The forage is then deposited in a uniform and airy blanket by the wide-spread hood.

Adjustable swath doors can be used to form a swath.

Even more flexibility

Power is transmitted from the cutter bar gearbox to the rotor by V-belts with a spring-loaded belt tensioner. If you don't need the conditioner, just remove it.

- The V-belts are easily detached for removing the conditioner.
- The drive system is reliably protected against contamination.
- The greasing points are located on the outside for easy access.



RCB roller conditioner

Profitable yields in dairy farming are only possible with high-quality base forage. Quality nutrients in the forage increases milk output at the same time as reducing the costs of concentrates. For leafy types of plant, PÖTTINGER offers a proven conditioner with crimping rollers.

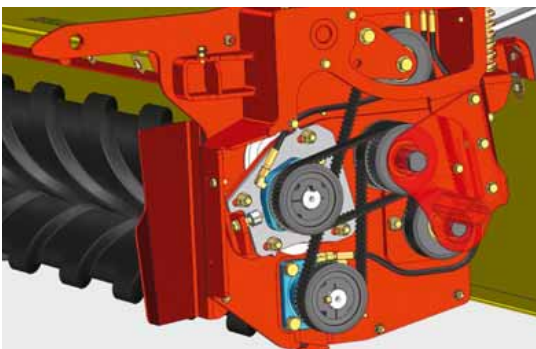
The roller conditioner is especially suitable for alfalfa and all types of clover due to its precision conditioning capabilities. The rollers intermesh to crimp the stalks and produce a uniform blanket of forage. The roller profile is spiral-shaped.

Reliable and durable

The rugged central tube has a diameter of 5.51" / 140 mm. The Polyurethane profile is vulcanised onto the central tube of the roller. The outer diameter is 7.87" / 200 mm. The conditioner profiles are harder than rubber and therefore particularly resistant to wear. The drive chains are lubricated automatically.

Reliable drive system

- Contamination-free, low-maintenance toothed drive belt on roller conditioner.
- Both rollers are driven.
- The inter-meshing rollers squash the stalks to produce a uniform blanket of forage.
- The upper roller is height-adjustable so that the gap between the rollers can be set.
- The conditioner pressure can be adjusted on both sides via coil spring adjusters.
- The greasing points are located on the outside for easy access.



Technical data



Rear mounted mowers with side pivot mounting	Working width ft / m	Linkage	Connection hydraulics	Number of discs	Placement width without swathing discs ft / m
NOVADISC 225	7.22 / 2.20	Cat. 2 / Width 2	1 single-acting	5	4.27 / 1.3
NOVADISC 265	8.60 / 2.62	Cat. 2 / Width 2	1 single-acting	6	5.58 / 1.7
NOVADISC 305	9.97 / 3.04	Cat. 2 / Width 2	1 single-acting	7	7.55 / 2.3
NOVADISC 350	11.35 / 3.46	Cat. 2 / Width 2	1 single-acting	8	8.20 / 2.5
NOVADISC 400	12.73 / 3.88	Cat. 2 / Width 2		9	9.84 / 3.0
Rear mounted mowers with centre pivot mounting	Working width ft / m	Mounting	Connection hydraulics	Number of discs	Placement width without swathing discs ft / m
NOVACAT 262	8.60 / 2.62	Cat. 2 / Width 2	1 s-a / 1 d-a	6	5.58 / 1.7
NOVACAT 262 ED	8.60 / 2.62	Cat. 2 / Width 2	1 s-a / 1 d-a	6	5.58 – 3.94 / 1.7 – 1.2
NOVACAT 262 RCB	8.60 / 2.62	Cat. 2 / Width 2	1 s-a / 1 d-a	6	6.56 – 4.59 / 2.0 – 1.4
NOVACAT 302	9.97 / 3.04	Cat. 2 / Width 2	1 s-a / 1 d-a	7	6.89 / 2.1
NOVACAT 302 ED	9.97 / 3.04	Cat. 3 / Width 2	1 s-a / 1 d-a	7	8.86 – 6.23 / 2.7 – 1.9
NOVACAT 302 RCB	9.97 / 3.04	Cat. 3 / Width 2	1 s-a / 1 d-a	7	8.20 – 5.58 / 2.5 – 1.7
NOVACAT 352 V	11.35 / 3.46	Cat. 3 / Width 3	1 s-a / 1 d-a	8	8.20 / 2.5
NOVACAT 352	11.35 / 3.46	Cat. 3 / Width 3	1 s-a / 1 d-a	8	8.20 / 2.5
NOVACAT 352 CF	11.35 / 3.46	Cat. 3 / Width 3	1 s-a / 1 d-a	8	
NOVACAT 352 ED	11.35 / 3.46	Cat. 3 / Width 3	1 s-a / 1 d-a	8	10.17 – 7.22 / 3.1 – 2.2
NOVACAT 352 RCB	11.35 / 3.46	Cat. 3 / Width 3	1 s-a / 1 d-a	8	9.84 – 7.22 / 3.0 – 2.2
NOVACAT 402	12.73 / 3.88	Cat. 3 / Width 3	1 s-a / 1 d-a	9	10.50 / 3.2
NOVACAT 442	14.11 / 4.30	Cat. 3 / Width 3	1 s-a / 1 d-a	10	11.81 / 3.6
Front mounted mowers CLASSIC	Working width ft / m	Linkage	Connection hydraulics	Number of discs	Placement width without swathing discs ft / m
NOVACAT 261 CLASSIC	8.60 / 2.62	A-frame mounting	–	6	5.58 / 1.7
NOVACAT 301 CLASSIC	9.97 / 3.04	A-frame mounting	–	7	6.89 / 2.1
NOVACAT 351 CLASSIC	11.35 / 3.46	A-frame mounting	–	8	8.55 / 2.6
Front mounted mowers ALPHA MOTION	Working width ft / m	Linkage	Connection hydraulics	Number of discs	Placement width without swathing discs ft / m
NOVACAT 261 ALPHA MOTION	8.60 / 2.62	A-frame mounting	1 single-acting	6	5.58 / 1.7
NOVACAT 261 ALPHA MOTION ED	8.60 / 2.62	A-frame mounting	1 single-acting	6	7.22 – 4.59 / 2.2 – 1.4
NOVACAT 261 ALPHA MOTION RCB	8.60 / 2.62	A-frame mounting	1 single-acting	6	7.22 – 4.59 / 2.2 – 1.4
NOVACAT 301 ALPHA MOTION	9.97 / 3.04	A-frame mounting	1 single-acting	7	6.89 / 2.1
NOVACAT 301 ALPHA MOTION ED	9.97 / 3.04	A-frame mounting	1 single-acting	7	8.20 – 5.25 / 2.5 – 1.6
NOVACAT 301 ALPHA MOTION RCB	9.97 / 3.04	A-frame mounting	1 single-acting	7	7.87 – 5.91 / 2.4 – 1.8
NOVACAT 351 ALPHA MOTION	11.35 / 3.46	A-frame mounting	1 single-acting	8	9.84 / 3.0
NOVACAT 351 ALPHA MOTION ED	11.35 / 3.46	A-frame mounting	1 single-acting	8	9.51 – 6.56 / 2.9 – 2.0
NOVACAT 351 ALPHA-MOTION RCB	11.35 / 3.46	A-frame mounting	1 single-acting	8	9.51 – 6.56 / 2.9 – 2.0



Swathing discs 2 or 4 ft / m	Tractor PTO speed	Transport height ft / m	Power requirement from	Acres / Hectares per hour up to	Weight lbs / kg
2.95 or 0.9 / –	540 rpm	8.53 / 2.60	30 kW / 40 hp	5.44 / 2.2	1345 / 610
4.92 or 3.61 / 1.5 or 1.1	540 rpm	9.51 / 2.90	37 kW / 50 hp	6.43 / 2.6	1433 / 650
5.58 or 4.27 / 1.7 or 1.3	540 rpm	11.15 / 3.40	44 kW / 60 hp	7.41 / 3.0	1521 / 690
6.89 or 5.58 / 2.1 or 1.7	1000 rpm	12.47 / 3.80	51 kW / 70 hp	8.40 / 3.4	1620 / 735
6.43 or 5.44 / 2.6 or 2.2	1000 rpm	13.06 / 3.98	59 kW / 80 hp	9.64 / 3.9	1687 / 765
Swathing discs 2 or 4 ft / m	Tractor PTO speed	Transport height ft / m	Power requirement from	Acres / Hectares per hour up to	Weight lbs / kg
4.59 or 3.61 / 1.4 or 1.1	1000 rpm	11.81 / 3.60	44 kW / 60 hp	6.43 / 2.6	2006 / 910
–	1000 rpm	11.81 / 3.60	52 kW / 75 hp	6.43 / 2.6	2557 / 1160
–	1000 rpm	11.81 / 3.60	52 kW / 75 hp	6.43 / 2.6	2712 / 1230
5.58 or 4.27 / 1.7 or 1.3	1000 rpm	12.47 / 3.80	52 kW / 75 hp	7.41 / 3.0	2050 / 930
–	1000 rpm	12.47 / 3.80	59 kW / 80 hp	7.41 / 3.0	2778 / 1260
–	1000 rpm	12.47 / 3.80	59 kW / 80 hp	7.41 / 3.0	2932 / 1330
6.89 or 5.58 / 2.1 or 1.7	1000 rpm	13.09 / 3.99	59 kW / 80 hp	8.40 / 3.4	2271 / 1030
6.89 or 5.58 / 2.1 or 1.7	1000 rpm	–	59 kW / 80 hp	8.40 / 3.4	2160 / 980
–	1000 rpm	–	88 kW / 120 hp	8.40 / 3.4	3219 / 1460
–	1000 rpm	–	88 kW / 120 hp	8.40 / 3.4	2954 / 1340
–	1000 rpm	–	88 kW / 120 hp	8.40 / 3.4	3064 / 1390
8.86 or 7.55 / 2.7 or 2.3	1000 rpm	–	66 kW / 90 hp	9.88 / 4.0	2292 / 1040
9.84 or 8.53 / 3.0 or 2.6	1000 rpm	–	81 kW / 110 hp	11.12 / 4.5	2381 / 1080
Swathing discs 2 / 4 ft / m	Tractor PTO speed	Transport width ft / m	Power requirement from	Acres / Hectares per hour up to	Weight lbs / kg
4.27 or 3.61 / 1.3 or 1.1	1000 rpm	8.43 / 2.57	40 kW / 55 hp	6.43 / 2.6	1510 / 685
4.59 or 3.61 / 1.4 or 1.1	1000 rpm	9.78 / 2.98	44 kW / 60 hp	7.41 / 3.0	1642 / 745
6.56 or 5.25 / 2.0 or 1.6	1000 rpm	11.22 / 3.42	44 kW / 60 hp	8.40 / 3.4	1775 / 805
Swathing discs 2 or 4 ft / m	Tractor PTO speed	Transport width ft / m	Power requirement from	Acres / Hectares per hour up to	Weight lbs / kg
4.27 or 3.61 / 1.3 or 1.1	1000 rpm	8.43 / 2.57	40 kW / 55 hp	6.43 / 2.6	1885 / 865
–	1000 rpm	8.43 / 2.57	48 kW / 65 hp	6.43 / 2.6	2348 / 1065
–	1000 rpm	8.43 / 2.57	48 kW / 65 hp	6.43 / 2.6	2458 / 1115
4.59 or 3.61 / 1.4 or 1.1	1000 rpm	9.78 / 2.98	44 kW / 60 hp	7.41 / 3.0	1995 / 905
–	1000 rpm	9.78 / 2.98	51 kW / 70 hp	7.41 / 3.0	2524 / 1145
–	1000 rpm	9.78 / 2.98	51 kW / 70 hp	7.41 / 3.0	2679 / 1215
7.87 or 6.56 / 2.4 or 2.0	1000 rpm	11.22 / 3.42	51 kW / 70 hp	8.40 / 3.4	2172 / 985
–	1000 rpm	11.22 / 3.42	59 kW / 80 hp	8.40 / 3.4	2789 / 1265
–	1000 rpm	11.22 / 3.42	59 kW / 80 hp	8.40 / 3.4	2899 / 1315

Standard & Optional Equipment



NOVADISC Rear mounted mowers	Swathing discs inner / outer	Additional swath discs	Feed cone	Feed drums to form 2 individual swaths
225	□ / □	-	□	-
265 / 305 / 350	□ / □	□	□	-
400	- / □	-	□	-
NOVACAT Rear mounted mowers	Swathing discs inner / outer	Additional swath discs	Feed cone	Feed drums to form 2 individual swaths
262	□	□	□	-
262 ED / 262 RCB	-	-	□	-
302	□	□	□	-
302 ED / 302 RCB	-	-	□	-
352 V	□	□	□	-
352	□	□	□	-
352 ED / 352 RCB / 352 CF	-	-	□	-
402 / 442	□	□	□	□
NOVACAT Front mounted mowers	Swathing discs left / right	Additional swath discs	Feed cone	Feed drums to form 2 individual swaths
261 / 301 CLASSIC	■	□	□	□
351 CLASSIC	■	□	□	□
261 ALPHA MOTION	■	□	□	-
261 ALPHA MOTION ED / RCB	-	-	□	-
301 ALPHA MOTION	■	□	□	-
301 ALPHA MOTION ED / RCB	-	-	□	-
351 ALPHA MOTION	■	□	□	-
351 ALPHA MOTION ED / RCB	-	-	□	-



ED tine conditioner

RCB roller conditioner

**Rear mowing guard
Swathing discs**

**Quick-change pins
for conditioner**

NOVACAT ED	■	□	□	□
NOVACAT RCB	□	■	□	□

■ = Standard, □ = Option



Wear skids	High-cut skids +0.79/1.57" / +20/40 mm	Parking stands	Hydraulic folding side guard	Warning signs Lighting
------------	---	----------------	---------------------------------	---------------------------

<input type="checkbox"/>	<input type="checkbox"/>	-	-	<input type="checkbox"/>
<input type="checkbox"/>	<input type="checkbox"/>	-	-	<input type="checkbox"/>
<input type="checkbox"/>	<input type="checkbox"/>	-	-	<input type="checkbox"/>

Wear skids	High-cut skids +0.79/1.57" / +20/40 mm	Parking stands	Hydraulic folding side guard	Warning signs Lighting
------------	---	----------------	---------------------------------	---------------------------

<input type="checkbox"/>	<input type="checkbox"/>	<input type="checkbox"/>	<input type="checkbox"/>	<input checked="" type="checkbox"/>
<input type="checkbox"/>	<input type="checkbox"/>	<input type="checkbox"/>	<input type="checkbox"/>	<input checked="" type="checkbox"/>
<input type="checkbox"/>	<input type="checkbox"/>	<input type="checkbox"/>	<input type="checkbox"/>	<input checked="" type="checkbox"/>
<input type="checkbox"/>	<input type="checkbox"/>	<input type="checkbox"/>	<input type="checkbox"/>	<input checked="" type="checkbox"/>
<input type="checkbox"/>	<input type="checkbox"/>	<input type="checkbox"/>	<input type="checkbox"/>	<input checked="" type="checkbox"/>
<input type="checkbox"/>	<input type="checkbox"/>	-	-	<input checked="" type="checkbox"/>
<input type="checkbox"/>	<input type="checkbox"/>	-	-	<input checked="" type="checkbox"/>
<input type="checkbox"/>	<input type="checkbox"/>	-	-	<input checked="" type="checkbox"/>

Wear skids	High-cut skids +0.79/1.57" / +20/40 mm	Parking stands	Hydraulic folding side guard	Warning signs Lighting
------------	---	----------------	---------------------------------	---------------------------

<input type="checkbox"/>	<input type="checkbox"/>	-	<input type="checkbox"/>	<input type="checkbox"/>
<input type="checkbox"/>	<input type="checkbox"/>	-	<input type="checkbox"/>	<input checked="" type="checkbox"/>
<input type="checkbox"/>	<input type="checkbox"/>	-	<input type="checkbox"/>	<input type="checkbox"/>
<input type="checkbox"/>	<input type="checkbox"/>	-	<input type="checkbox"/>	<input type="checkbox"/>
<input type="checkbox"/>	<input type="checkbox"/>	-	<input type="checkbox"/>	<input type="checkbox"/>
<input type="checkbox"/>	<input type="checkbox"/>	-	<input type="checkbox"/>	<input type="checkbox"/>
<input type="checkbox"/>	<input type="checkbox"/>	-	<input type="checkbox"/>	<input checked="" type="checkbox"/>
<input type="checkbox"/>	<input type="checkbox"/>	-	<input type="checkbox"/>	<input checked="" type="checkbox"/>



**Wheels
for conditioner**

<input type="checkbox"/>
<input type="checkbox"/>



Your machine goes online.

All the information on your machine
easily – anytime – anywhere

Simply scan the QR code on the **data plate** with your smartphone or tablet or enter your machine number at www.poettinger.at/poetpro. You will immediately receive all the information on your machine.

- Operating instructions
- Optional equipment information
- Brochures
- Photos and videos



PÖTtinger Spare parts service

- Worldwide network of sales and service partners.
- Decades of spare and wear parts availability.
- Original PÖTtinger parts can be ordered online around the clock.

PÖTtinger Landtechnik GmbH

Industriegelände 1
4710 Grieskirchen
Austria
Phone +43 7248 600-0
Fax +43 7248 600-2513
info@poettinger.at
www.poettinger.at

Alois PÖTtinger UK Ltd.

15 St Marks Road, Corby
Northamptonshire,
NN18 8AN
United Kingdom
Phone + 44 1536 272 220
info@pottingeruk.co.uk
www.pottingeruk.co.uk

POETTINGER Canada Inc.

650, Route 112
St-Cesaire, PQ J0L 1T0
Canada
Phone +1 450 469 5594
Fax +1 866 417 1683
sales.canada@poettinger.ca
www.poettinger.ca

POETTINGER US, Inc.

393 Pilot Drive
Valparaiso, IN 46383
USA
Phone +1 219 510 5534
Fax + 1 219 707 5412
sales.us@poettinger.us
www.poettinger.us

POETTINGER Australia PTY LTD

15 Fordson Road
Campbellfield, VIC 3061
Australia
Phone +61 3 9359 2969
sales.au@poettinger.com.au
www.poettinger.com.au

POETTINGER Ireland Ltd.

Industrial Estate
Cashel Rd., Clonmel, Co. Tipperary
Ireland
Phone +353 52 6125766
info.ie@poettinger.at
www.poettinger.ie

Importer for New Zealand:

Origin Agroup
PO Box 673, 57 Hautapu Road
Cambridge
New Zealand
Phone +64 7 823 7582
info@originagroup.co.nz
www.originagroup.co.nz

Importer for South Africa:

VALTRAC
Cnr. Water & Buiten Street
9585 Parys
South Africa
Phone +27 56 817 7338 7308
wynn@valtrac.co.za
www.valtrac.co.za

