



**BACKHOE LOADER** | 5CX WASTEMASTER

More height, greater reach, better visibility.





7am roading in

12pm pallet handling

11:30am moving containers

1pm compacting

8:30am compacting

## Contents

**COMPACTION AND MORE** page 4

**MADE FOR THE JOB** page 12

**SAFETY FIRST** page 16

**COMFORT AND CONVENIENCE** page 20

**LIVELINK** page 24

**VALUE ADDED** page 25

**SPECIFICATION** page 26





6:30pm roading out

2pm loading

6pm sweeping up

12:30pm material handling

# It's all in a day's work for the new JCB Wastemaster

**Compaction**  
**and more**

### Moving containers

Hooklift attachment makes moving containers easy

### Multi-purpose

Jaw bucket is ideal for moving large items and digging

### Material Movement

Waste shovel with top grab is ideal for bulk material loading

### Compacting

Improves site efficiency

### Site maintenance

Sweeper Collector improves site efficiency

### Roading ability

Drive on the road at up to 25mph (40kph)

### Picking and sorting

Selector grab is ideal for precise rehandling



# COMPACTION EFFICIENCY.

THE NEW JCB 5CX WASTEMASTER EXCELS AT SAVING TIME AND MONEY. MOVING CONTAINERS, SORTING MATERIAL, MAINTAINING A SITE – IT'S ALL IN A DAY'S WORK. AND SO IS WASTE COMPACTION.

## Compaction.

1 Attachments like the JCB Jaw Bucket or Compaction Wheel can improve compaction efficiency by up to 3 or 4 times.

## Extra visibility.

2 Our unique four stabiliser legs provide extra height for improved visibility into the container.

## Maximum reach.

3 The new 5CX Wastemaster is fitted with a large 7.10m excavator unit that can reach the full length of a container.



**Compaction efficiency**  
To maximise efficiency on civic amenity sites, it's crucial to compact material and maximise weighbridge loads, in turn minimising collections. With this in mind, we've designed our new 5CX Wastemaster to maximise loads by up to 3 or 4 times (depending on the material).

# MOVING CONTAINERS.

OBVIOUSLY CONTAINERS NEED MOVING FOR ALL SORTS OF REASONS. WE'VE FITTED THE NEW 5CX WASTEMASTER WITH A HOOKLIFT FRAME OR INDIVIDUAL SKIP HOOK TO HELP SHIFT THEM EFFORTLESSLY.

## Hooklift Frame.

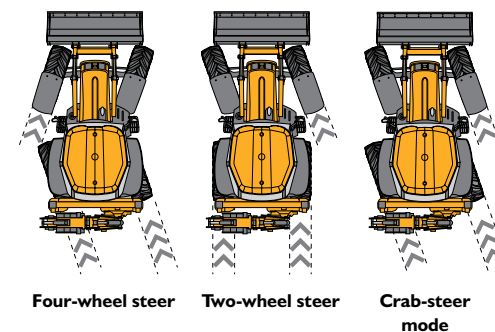
- 1 Most waste machines struggle to move empty or (depending on material) laden containers; the new 5CX Wastemaster can haul it all, increasing site efficiency.
- 2 Moving containers around site is easy with our skip hook attachment for increased manoeuvrability.
- 3 Our optional Hooklift Frame with integral legs connects easily to containers so you can rearrange a site.

## Steer modes.

- 3 Three different steer modes – four-wheel steer, two-wheel steer and Crabsteer – can be easily selected from inside the cab. This makes moving containers even easier. Four-wheel steer is ideal for working in restrictive spaces, while crab steer and two-wheel steer mean you can precisely manoeuvre containers into tight spaces.

## Saving thousands

Because the 5CX Wastemaster can move containers, our customers have saved thousands of pounds in transport company fees by being able to position their own bins.



## PICKING AND SORTING.

THE NEW 5CX WASTEMASTER IS DESIGNED TO PICK AND SORT INCOMING MATERIAL WITH EASE, AND IT CAN ALSO MOVE MATERIAL BETWEEN CONTAINERS.

### Handling material.

**1** The 5CX Wastemaster has a new Low Flow Pipework feature, allowing you to fit 140-litre JCB SGI 40 Selector Grab to your machine – ideal for picking, sorting, loading shredders and balers, or loading material.

**2** With the Selector Grab it is easy to pick and sort material, prior to shredding or to move material between containers.

### Palletised loads.

**3** Hazardous items like batteries, paint and oils are often stored on pallets before being taken to specialist recyclers.

The 5CX Wastemaster's integral forks, built into the standard Hydraulic Loader Quickhitch, can lift up to 2 tonnes of palletised loads.

### Fully sorted.

**4** With the 5CX Wastemaster, it's easy to reorganise material inside containers. That means loads are maximised and everything can be put in the right place.

The optional JCB Jaw Bucket is built to pick and sort even the most awkward items (like mattresses or electrical goods). The Jaw Bucket is exceptionally smooth to control, allowing operators to pick, sort and place materials accurately.



### Sort with ease

Because manual handling guidelines recommend lifting no more than 25kg, the 5CX Wastemaster can take several loads off your operators' shoulders (and off your mind). It can also take on those unpleasant jobs like moving soiled mattresses or picking up sharp objects.



## SITE MAINTENANCE.

### A CLEAN SITE IS A SAFE SITE. IT'S EASY TO SWAP BETWEEN ATTACHMENTS LIKE THE JCB SWEEPER COLLECTOR ON THE NEW 5CX WASTEMASTER.

#### Saving time.

**1** When it comes to keeping a site clean, the JCB Sweeper Collector is far more time-efficient than manual labour with brushes.

Choose the sweeper collector with a water sprinkler system for dust suppression.

#### Cleaning up.

**2** Material spills are a daily problem for busy civic amenity sites, the new 5CX Wastemaster is designed to help out – equip it with various loader buckets for fast, efficient collection.

#### Winter maintenance.

**3** Keeping sites safe for the general public during winter is, of course, vital. The new 5CX Wastemaster can clear snow and ice from public areas with the front shovel, sweeper collector or a specialist snow blade.



#### Sweeper Collector

JCB's Sweeper Collector attachment will save time, improve efficiency and increase safety. In short, it dramatically reduces clean-up time and ensures a tidy, safe site for the general public.

## ROADING ABILITY.

IF YOU'RE RESPONSIBLE FOR MORE THAN ONE SITE, LOOK NO FURTHER THAN THE NEW JCB 5CX WASTEMASTER. BECAUSE IT'S ROAD LEGAL, IT CAN TRAVEL BETWEEN SITES EASILY.

### Maximum efficiency.

**1** With a 4-speed powershift transmission (complete with Torquelock), the 5CX Wastemaster can travel at up to 25mph (40kph).

### Smoothride system.

**2** JCB's Smoothride System minimises bounce loadings; this means increased operator comfort, increased travel speed, reduced material spillage and reduces wear on the loader arms.

### EcoRoad fuel efficiency.

**3** The 5CX Wastemaster has a specially designed all-JCB powertrain to maximise efficiency and fuel economy.

We've combined the superb powertrain with our innovative EcoRoad technology, designed to optimise efficiency and productivity when roading. EcoRoad can actually reduce fuel consumption by up to 25%.

## AUTOMATE

### AUTODRIVE

Automatically allows you to maintain a chosen engine speed to reduce operator effort and fatigue.

### Roading.

The 5CX Wastemaster is perfect if you want to get the very most from your machine. If one site has shutdown days or if machines are only used for part days, just drive it between sites.



# ATTACHMENT VERSATILITY.



## SELECTOR GRAB

A selector grab is the perfect attachment for picking, sorting and loading alike.



## JAW BUCKET

The hydraulically operated jaw bucket is excellent for picking, sorting or compacting materials. It can pick up and place large items, or compact materials to maximise loads.



## HOOKLIFT FRAME

Designed to move containers, the hooklift also includes integrated stabilisers to raise the height of the machine.



## INTEGRATED FORKS

Integrated forks mean you can load and stack, as well as move palletised loads. This means you can use the 5CX Wastemaster instead of a forklift.



## LOADER QUICKHITCH

All of the 5CX Wastemaster's shovels are quickhitch-compatible for fast changes. The quickhitch's heavy-duty design maximises performance and durability.



## WASTE MULTI SHOVEL

This attachment has integrated stabiliser legs for great visibility and reach during compacting or sorting material within containers, while also allowing stockpiling and rehandling at the flick of a switch.



## SKIP HOOK

The new individual skip hook attachment allows movement of containers around site, the attachment is only as wide as the loader arms therefore dramatically increasing the manoeuvrability.



## COMPACTOR WHEEL

This popular attachment is ideal for compacting materials in containers, maximising loads and improving general efficiency on site.



## SWEeper COLLECTOR

This heavy-duty sweeper collector features a floating frame to closely follow the contours of the ground. Add our water sprinkler for dust suppression.



## WASTE SHOVEL WITH GRAB

A waste shovel with top grab allows loose or spilled material to be picked up and held with the top grab before being placed into containers. A GP shovel or 6-in-1 shovel are also available.

**Made**  
**to do the job**



### Extra reach

A 7.10m excavator arm provides great reach.

**Waste Multi Shovel**  
The Waste Multi Shovel has integrated stabiliser legs for great visibility and reach during compacting or sorting material within containers, while also allowing stockpiling and rehandling at the flick of a switch.



### Machine protection

Boom, lights and tyres have extra Wastemaster protection.



### Stabiliser pads

Rubber streetpads to stabiliser legs leave site surfaces unmarked.

## THE RIGHT SPEC.

WITH HEIGHT, REACH AND VISIBILITY IN ABUNDANCE, THE NEW 5CX WASTEMASTER REALLY IS PURPOSE-BUILT FOR THE BUSY CIVIC AMENITY SITE.



### Loader arms.

**1** The 5CX Wastemaster heavy duty loader arms are strong and durable, built to handle the rigours of a Waste and Recycling site

### Hooklift Loader Frame.

**2** Our optional Hooklift Loader Frame for the new 5CX Wastemaster has two key uses.

Firstly, it incorporates the front stabiliser legs, which help provide a stable, safe work platform when the machine is raised up to compact or sort material in containers.

Secondly, it allows the 5CX Wastemaster to manoeuvre and reposition containers with ease.

### Larger excavator unit.

**3** To make its extra working height even more useful, we've fitted the 5CX Wastemaster with a 7.10m excavator unit. This large excavator can move material from the rear of the container to the centre for easier compaction and even loading.



### Waste MultiShovel with stabilisers.

4 The all-new Waste Multi Shovel has integrated stabiliser legs to raise the 5CX Wastemaster for ultimate visibility and reach into container bins, shredders and balers.

5 To save time and money, you can then operate the grab bucket at the flick of a switch to stockpile, clear conveyors or rehandle material. Choose the skip hook attachment as well - easily switchable using the front hydraulic quickhitch.

### Upping the ante.

6 The additional height provided by the extended stabiliser legs improves operator visibility for easier and, crucially, safer operation. Rubber streetpads to all stabiliser legs leave site surfaces unmarked.

### Extended rear stabiliser legs.

7 The 5CX Wastemaster's extended rear stabiliser legs offer 400mm extra height over a standard JCB Backhoe. This combined with the additional front stabiliser legs allow a level operating position and improved reach into containers.

### Light guards.

8 The 5CX Wastemaster's rear lights have guards, which are easily removable for public road travel.

### Tyre protection.

9 However clean your site, punctures are still a real threat and can put a machine out of action for several hours. The 5CX Wastemaster features liquid tyre fill, so minor punctures are instantly sealed and your machine can carry on working.

### Boom protection.

10 Additional impact protection to the underside of the boom is fitted.



**Safety**  
**first**





**Clearly visible**

Extended stabiliser legs provide superb visibility into the container and around the site.

## SAFETY MATTERS.

SAFETY IS A TOP PRIORITY ON ANY SITE, WHICH IS WHY THE 5CX WASTEMASTER FEATURES CHECK VALVES, ALARMS, HI-VIZ CHEVRONS, REAR SCREEN PROTECTION AND EVEN A KEYPAD IMMOBILISER.

### Excavator stabiliser legs.

1 Not only do the extended rear stabiliser legs offer 400mm more raise height, they're integral to the mainframe chassis for maximum strength and durability too.

Reflective red-and-white chevrons improve visibility on site.

### Protected rear screen.

2 We've fitted a toughened glass rear screen with a clear impact film.

JCB Impact Protection protects the operator from any flying debris when compacting, picking and sorting; if there's a breakage, the window stays in place.



**The highest level of safety**  
The 5CX Wastemaster's stabiliser legs provide both a level operating position and extra height. That height improves visibility into the container, which in turn means more efficient retrieval, material selection and compaction, as well as safer operation.

### Clearly visible.

3 The operator has a clear view inside the container thanks to the JCB stabiliser legs.

The rear window opens easily to allow communication with colleagues on site.

### Check valves.

4 In the event of a hydraulic line failure, the loader lift rams and stabiliser legs on a 5CX Wastemaster are protected by Hose Burst Check Valves (HBCVs).

The boom and dipper services also have HBCVs to guarantee operational safety.

### Door safety alarm.

5 If a door is opened when the 5CX Wastemaster is raised, an alarm will warn the operator to lower the machine before exiting.

Sensors on the stabiliser legs also alert the operator if the legs are not fully retracted before driving the machine.

### Immobiliser.

6 Our standard-fit immobiliser protects the machine. Programme a numerical keycode to prevent unauthorised use.



**Comfort**  
**and convenience**



## COMFORTABLE, PRODUCTIVE WORKING.

JCB BACKHOE LOADERS ARE DESIGNED AROUND THE OPERATOR FOR FATIGUE-FREE, PRODUCTIVE ALL-DAY WORKING. CAB COMFORT, ERGONOMICS AND STYLING ARE ALL BEST-IN-CLASS.

### Heated air suspension seat.

1 A heated air suspension seat keeps the operator comfortable, fresh and productive.

### AC and heater.

2 Standard air conditioning and a full heater system means you can adjust the cab temperature no matter what conditions are like outside. This maximises both comfort and productivity.

### Coffee machine.

3 The standard-fit JCB coffee machine means you can make hot drinks at break time or during delays.

### Hydraulic Powerslide.

4 Repositioning is a must when compacting, picking and sorting. Just as well that JCB's Hydraulic Powerslide system is a standard fit – it makes repositioning effortless, precise and safe.



### Instrumentation

We've designed the 5CX Wastemaster's instruments to be clearly, easily understood. There's also an alarm to warn of emergencies like low oil pressure or a blocked air filter.



### Hydraulic loader quickhitch.

5 The 5CX Wastemaster's standard-fit hydraulic quickhitch makes attachment changing quick, easy and safe.

So changing from a shovel to forks or a hooklift frame to a sweeper collector, is a safe and efficient process with a quickhitch.

### Heated front screen.

6 A heated front screen is fitted as standard, which means operators don't have to clamber across the machine with a scraper on a cold winter's morning.

That, of course, means that work can get underway quickly and safely.

### In-cab cool box.

7 This useful feature keeps essential refreshments cool and on-hand.

### Servo controls.

8 Seat mounted excavator style controls are also standard-fit on the 5CX Wastemaster. They provide precise, effortless control of all loader and excavator functions.



## AUTOMATE

JCB Automate is a new suite of automated features designed to make your life easier.

### AUTO IDLE

Reduces revs when the machine is not in use.

### AUTO THROTTLE

Returns engine speed to pre-set hand throttle position when work is resumed.

### AUTO CHECK

Automatically carries out all routine under bonnet checks.

# LIVELINK, WORK SMARTER.

**JCB LIVELINK IS AN INNOVATIVE SOFTWARE SYSTEM THAT LETS YOU MONITOR AND MANAGE YOUR MACHINES REMOTELY – ONLINE, BY EMAIL OR BY MOBILE PHONE. LIVELINK GIVES YOU ACCESS TO A WHOLE HOST OF USEFUL DATA, INCLUDING MACHINE ALERTS, AND EVENT HISTORY INFORMATION. ALL YOUR MACHINE INFORMATION IS HANDLED AT A SECURE DATA CENTRE FOR YOUR PEACE OF MIND.**

## Productivity and cost benefits

Machine location information can improve fleet efficiency and you may even enjoy reduced insurance costs courtesy of the added security that LiveLink brings.



## Maintenance benefits

JCB LiveLink makes it easy to manage machine maintenance. Accurate hours monitoring and service alerts improve maintenance planning, and real-time location data helps you manage your fleet. You'll also have access to critical machine alerts and maintenance history records.



## Security benefits

Keep your machine operating safely with JCB LiveLink. Real-time geofencing alerts tell you when machines move out of predetermined operating zones, and real-time curfew alerts inform you if machines are being used when they're not supposed to be. Real time location information helps you store your machines in the safest places.



Note: Please consult your local dealer for Livelink availability.





## VALUE ADDED.

JCB'S WORLDWIDE CUSTOMER SUPPORT IS FIRST CLASS. WHATEVER YOU NEED AND WHEREVER YOU ARE, WE'LL BE AVAILABLE QUICKLY AND EFFICIENTLY TO HELP MAKE SURE YOUR MACHINERY IS PERFORMING TO ITS FULL POTENTIAL.

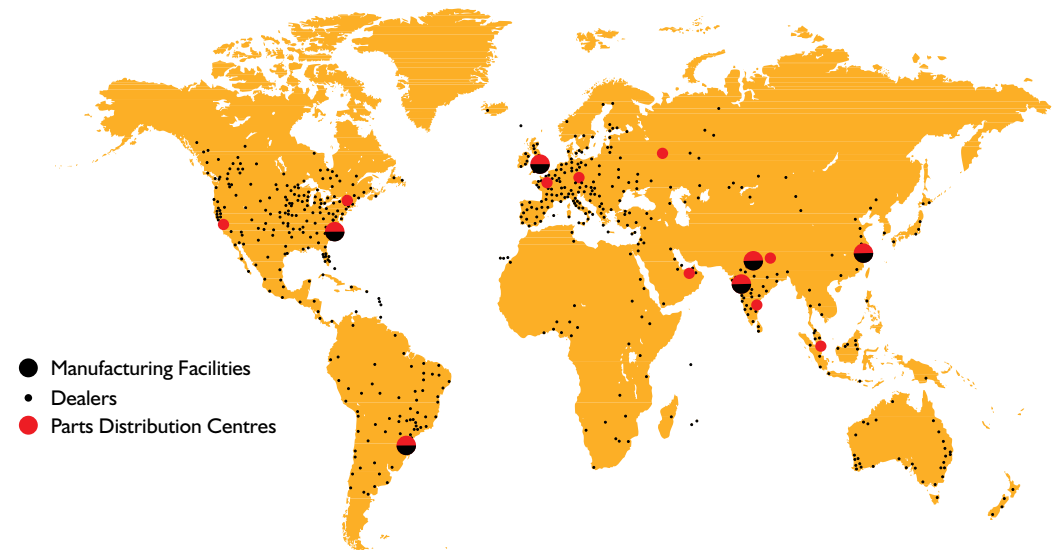


**1** Our Technical Support Service provides instant access to factory expertise, day or night, while our Finance and Insurance teams are always on hand to provide fast, flexible, competitive quotes.

**2** JCB Assetcare offers comprehensive extended warranties and service agreements, as well as service-only or repair and maintenance contracts. Irrespective of what you opt for, our Maintenance teams around the world charge competitive labour rates, and offer non-obligation quotations as well as fast, efficient insurance repair work.

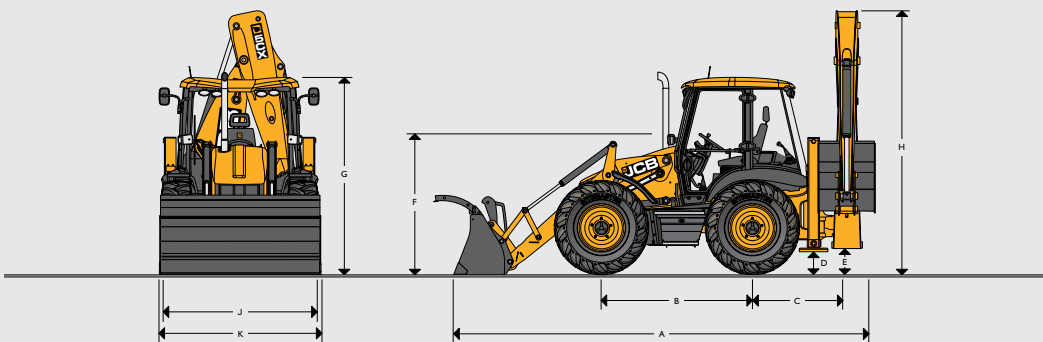


**3** The global network of JCB Parts Centres is another model of efficiency; with 15 regional bases, we can deliver around 95% of all parts anywhere in the world within 24 hours. Our genuine JCB parts are designed to work in perfect harmony with your machine for optimum performance and productivity.



STATIC DIMENSIONS

JCB backhoe loaders feature a heavy-duty one-piece mainframe, componentised driveline and fully enclosed engine compartment. All fluid and component compartments are lockable using the ignition key.



Machine model	5CX Wastemaster	
A Total travel length	m	6.74
B Axle centreline distance	m	2.22
C Slew centre to rear axle centre distance	m	1.36
D Stabiliser feet clearance	m	0.34
E Kingpost clearance	m	0.50
F Steering wheel centre height	m	1.88
G Cab roof height	m	3.03
H Total travel height	m	3.97
J Rear frame width	m	2.36
K Shovel width (standard)	m	2.33
K* Shovel width (option)	m	2.44

ENGINE (Stage IIIb emissions)

The JCB EcoMAX engine is so efficient that it complies with Stage IIIb/Tier 4i without the need for exhaust after-treatment systems; Diesel Particulate Filter (DPF) or Selective Catalytic Reduction (SCR). This is because its high pressure common rail combustion system produces virtually no particulate matter in its exhaust gases.

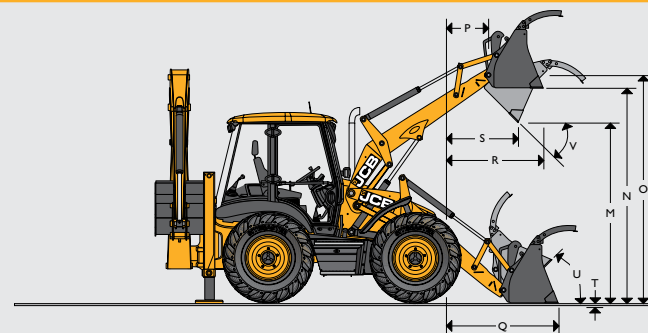
High Pressure Common Rail Fuel Injection – Injects fuel at high pressure, up to 2000bar, with extremely precise control.

Variable Geometry Turbo Charger (VGT) – Allows precise control of the quantity of air entering the engine, to match the fuel injected in order to optimise combustion efficiency.

Exhaust Gas Recirculation (EGR) – is a controlled recirculation of a portion of exhaust gases back into the combustion chamber, reducing NOx emissions.

Machine model	5CX Wastemaster	
Engine standard	Stage IIIb	
Manufacturer	JCB	
Aspiration	Turbocharged & Intercooled	
Displacement	litre	4.4
No. of cylinders	4	
Bore	mm	103
Stroke	mm	132
Rated engine rpm	2200	
<b>Power ratings</b>		
Rated ISO 14396 (SAE J1995 Gross)	kW (HP)	81 (109)
<b>Maximum torque</b>		
Rated ISO 14396 (SAE J1995 Gross)	Nm	516
Max. torque rpm	1300	

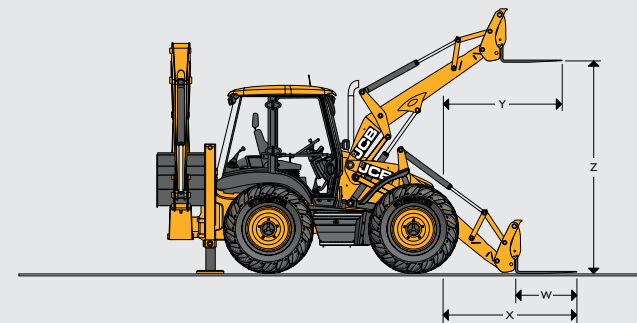
LOADER DIMENSIONS



			6-in-1 shovel
M	Dump height	m	2.69
N	Load over height	m	3.18
O	Pin height	m	3.46
P	Pin forward reach	m	0.41
Q	Reach at ground (toe plate horizontal)	m	1.39
R	Maximum reach at full height	m	1.17
S	Reach at full height fully dumped	m	0.76
T	Dig depth	m	0.18
U	Roll back at ground	degrees	45°
V	Dump angle	degrees	45°
	Jaw opening width	m	0.95

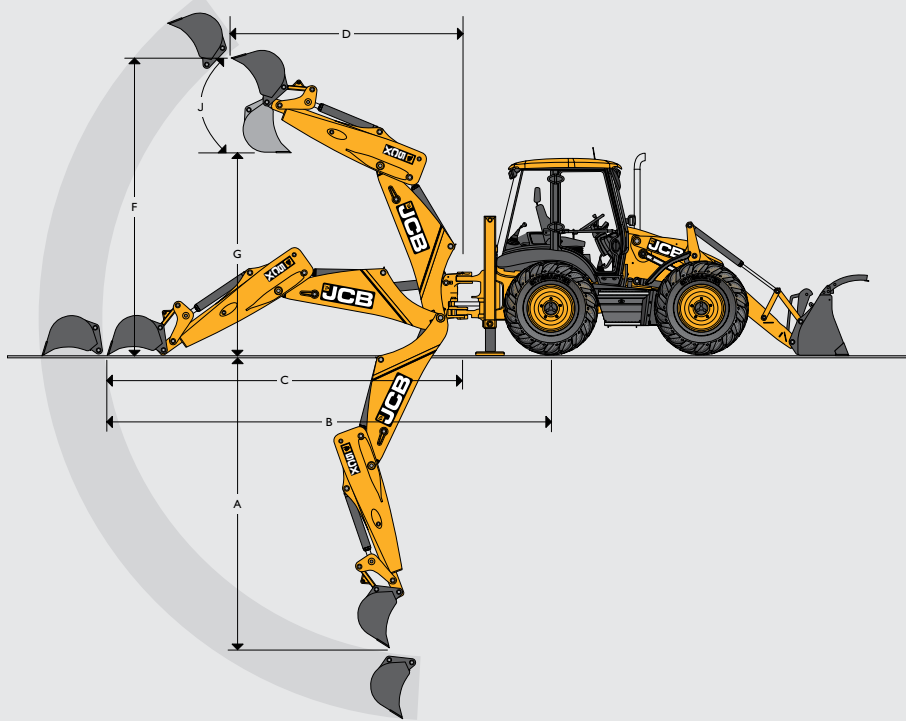
Integrated quickhitch and forks are unique to JCB, speeding up attachment changeover times and increases productivity. Using the hydraulic quickhitch, with the shovel removed, the flip over forks maximise fork lift capacity to 2000kg and increase visibility to the load.

LOADER ATTACHMENTS - FORKLIFT PERFORMANCE AND DATA



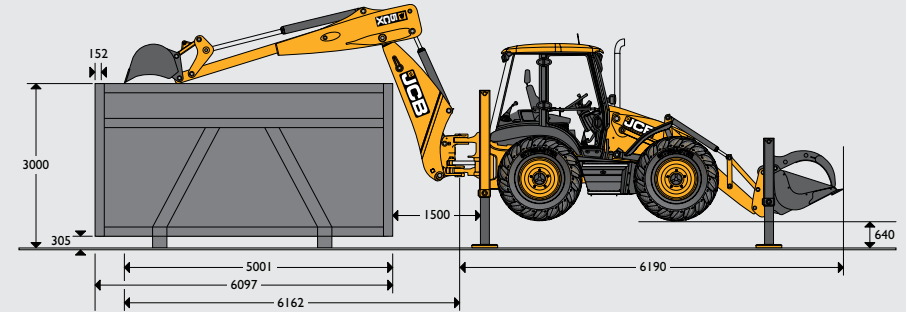
			Quickhitch mounted forks
	Section width	m	0.08
W	Fork length	m	1.1
X	Reach at ground	m	2.13
Y	Reach at full height	m	1.76
Z	Fork lift height	m	3.28
	Fork spacing - minimum	m	0.2
	Fork spacing - maximum	m	1.03
	SWL @ 500mm load centres	kg	2000

## BACKHOE DIMENSIONS



A	SAE maximum dig depth	Ext	m	6.14
		Ret	m	4.98
	SAE 2ft flat bottom	Ext	m	6.11
		Ret	m	4.93
	Maximum dig depth	Ext	m	6.51
		Ret	m	5.35
B	Reach - ground level to rear wheel centre	Ext	m	8.44
		Ret	m	7.35
C	Reach - ground level to slew centre	Ext	m	7.10
		Ret	m	6.01
D	Reach - at full height to slew centre	Ext	m	4.47
		Ret	m	3.43
E	Side reach - to centre line of machine	Ext	m	7.71
		Ret	m	6.69
F	SAE operating weight	Ext	m	6.52
		Ret	m	5.89
G	Maximum loadover height	Ext	m	5.03
		Ret	m	3.58
		Ext	m	4.55
	SAE loadover height	Ret	m	3.58
H	Total kingpost travel		m	1.16
J	Bucket rotation			201°

## BACKHOE PERFORMANCE



Bucket tearout	Speed	kgf	5387
	Power	kgf	6230
Dipper tearout	Ext	kgf	2675
	Ret	kgf	3722
Maximum lift capacity of bucket pivot at full reach	Ext	kg	1199
	Ret	kg	1556

<b>LOADER</b>	<ul style="list-style-type: none"> <li>Integrated Hydraulic Quick Hitch With Flip Over Forks</li> <li>Loader Hose Burst Check Valves</li> <li>High Flow Loader Pipework</li> <li>Return To Dig</li> <li>Smooth Ride System</li> </ul>
<b>EXCAVATOR</b>	<ul style="list-style-type: none"> <li>Large Excavator 7.10m Reach</li> <li>High Performance Powerslide</li> <li>Auxiliary Single and Double Flow*</li> <li>Excavator Boom And Dipper Hose Burst Check Valves</li> <li>Stabiliser Leg Chevrons</li> <li>Boom Ram Cushioning</li> <li>Boom Protection Plate</li> <li>ISO/SAE Control Patterns</li> </ul>
<b>CAB</b>	<ul style="list-style-type: none"> <li>Advanced Easycontrol Servo Controls</li> <li>Heated Air Suspension Seat</li> <li>Air Conditioning and Integrated Cold Box</li> <li>Emergency Safety Steps</li> <li>Heated Front Screen</li> <li>Fire Extinguisher</li> <li>Rear Screen Impact Protection</li> <li>Coffee Machine</li> <li>Door interlock alarm</li> <li>Immobiliser</li> <li>LiveLink</li> </ul>
<b>ENGINE</b>	<ul style="list-style-type: none"> <li>4.4 litre turbocharged and intercooled</li> <li>81kW (109hp) gross power</li> <li>516Nm max torque @ 1300 rpm</li> </ul>
<b>DRIVELINE/CHASSIS</b>	<ul style="list-style-type: none"> <li>25mph (40kph) 4 Speed Powershift Transmission</li> <li>TorqueLock</li> <li>All Wheel Steer</li> <li>Puncture Protection System</li> <li>Streetpads (Loader And Excavator) Rear Light Guards</li> <li>Reverse Alarm</li> </ul>
<b>OPTIONS</b>	<ul style="list-style-type: none"> <li>6-in-1 shovel</li> <li>Waste Multi Shovel With Integrated Legs</li> <li>Skip Hook</li> <li>Skip Hook With Integrated Legs</li> <li>General Purpose Shovel</li> <li>Sweeper Collector</li> <li>Compactor Wheel</li> <li>Selector Grab</li> <li>Snow Blade</li> <li>Biodegradable Oil</li> <li>Excavator Quickhitch</li> <li>6 Speed Autoshift</li> <li>Buckets Available 229mm (9") to 1100mm (43")</li> <li>1.3m<sup>3</sup> Wastemaster Shovel with Single Piece Grab</li> <li>24" Jaw Bucket</li> </ul>

\*Double flow not compatible with hammer

## LOADER PERFORMANCE

JCB loaders provide parallel lift self-levelling on the up and down cycle enhancing load retention and use of optional pallet forks. High capacity buckets combined with high lift and breakout forces maximise productivity.

		GP shovel	6-in-1 shovel
Shovel breakout	kgf	6227	6590
Loader arm breakout	kgf	5936	5730
Rated operating capacity*	kg	4638	4378
Clamping force	kgf	-	2945

\*Rated operating capacity as determined according to ISO 14397 : 2007.

## OPERATING WEIGHTS

Operating weight includes machine with waste shovel with legs and jaw bucket, fuel tank and operator.

Weight	kg	10600
--------	----	-------



**ONE COMPANY, OVER 300 MACHINES.**

Your nearest JCB dealer

### **5CX Wastemaster Backhoe Loader**

More height, greater reach, better visibility.

JCB Sales Limited, Rokeceter, Staffordshire, United Kingdom ST14 5JP.

Tel: +44 (0)1889 590312 Email: [salesinfo@jcb.com](mailto:salesinfo@jcb.com)

Download the very latest information on this product range at: [www.jcb.com](http://www.jcb.com)

©2009 JCB Sales. All rights reserved. No part of this publication may be reproduced, stored in a retrieval system, or transmitted in any form or by any other means, electronic, mechanical, photocopying or otherwise, without prior permission from JCB Sales. All references in this publication to operating weights, sizes, capacities and other performance measurements are provided for guidance only and may vary dependant upon the exact specification of machine. They should not therefore be relied upon in relation to suitability for a particular application. Guidance and advice should always be sought from your JCB Dealer. JCB reserves the right to change specifications without notice. Illustrations and specifications shown may include optional equipment and accessories. The JCB logo is a registered trademark of J C Bamford Excavators Ltd.

9999/5797 en-GB 05/14 Issue 1

