

HMF 1800-K



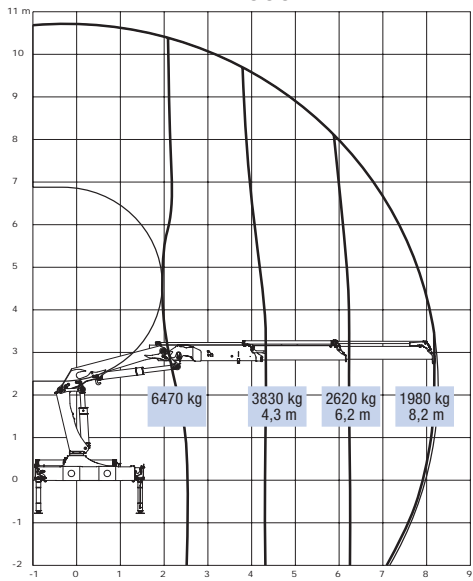
- power to lift.

HMF Knuckle Boom Loader 1800-K

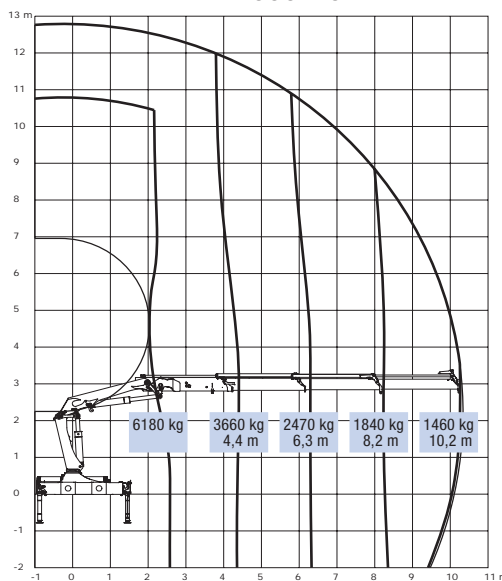
This strong and versatile crane in the 18 tm range is constructed using the latest technology

- The HMF 1800-K is an adaptable loader, well suited for frequent high intensity working tasks.
- The jib extension system is available with over-bending of 15° between the main boom and the jib. This over-bending provides high flexibility for demanding tasks in narrow places, in particular through low gates and windows.
- The HMF 1800-K Series has a dual Power Plus link arm system, which ensures an excellent lifting capacity and makes it possible both to lift a heavy load close to the column and also lift bulky items at long reach and in high positions.
- With HMF's newly developed CE-safety system, the RCL 5300 Series, HMF acknowledges that safety has to co-operate with the user and help him during critical lifting tasks.
- All hydraulic hoses, including those for both stabilizers are fed internally. This means that the HMF 1800-K has a clean and simple design and provides maximum protection of the hoses.
- There is an extensive range of peripheral options available for the HMF 1800-K. The loader is available with winch or extra valves for Fly-Jib or grab, among others. This way we ensure that the loader is capable of performing a wide range of tasks.
- HMF 1800-K is available with radio remote control, which means that the operator can operate the loader from any place he likes. This means faster and more efficient carrying out of the working tasks.

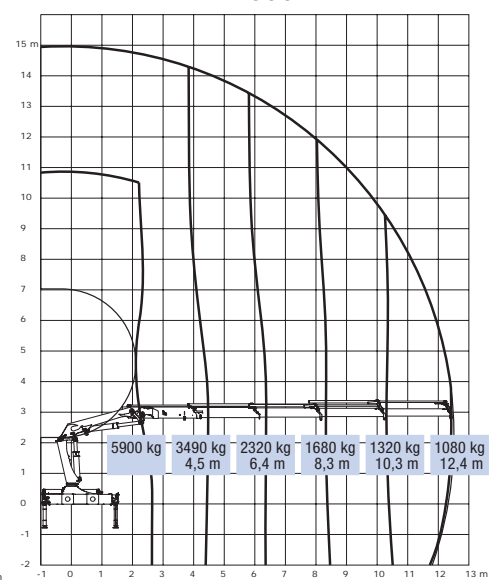
HMF 1800-K2



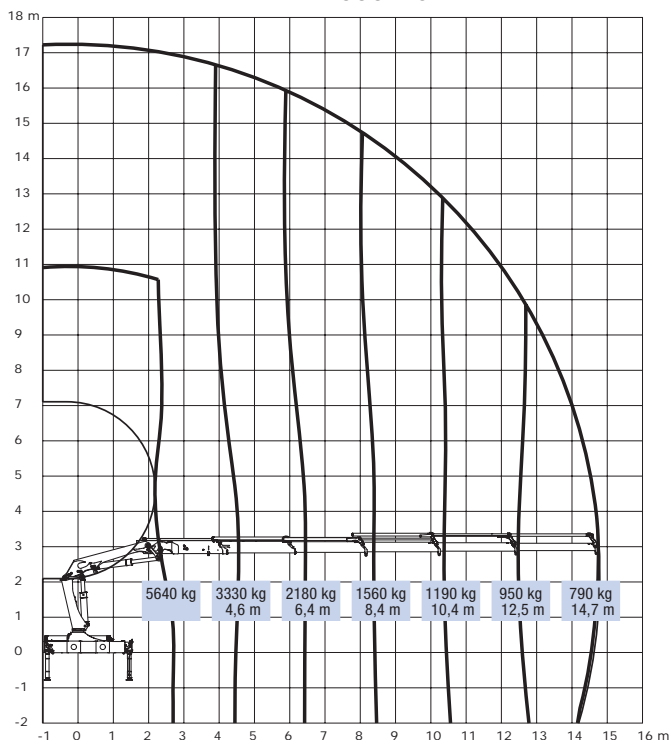
HMF 1800-K3



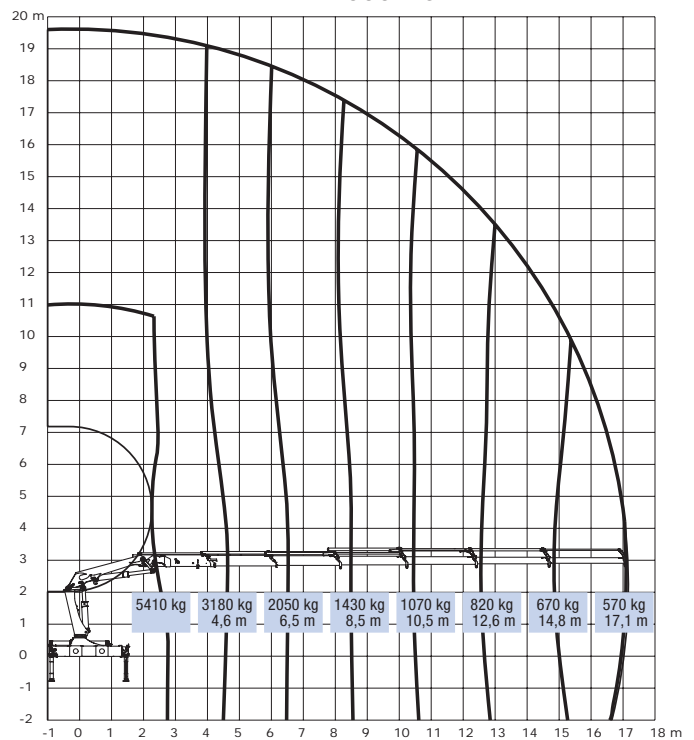
HMF 1800-K4



HMF 1800-K5



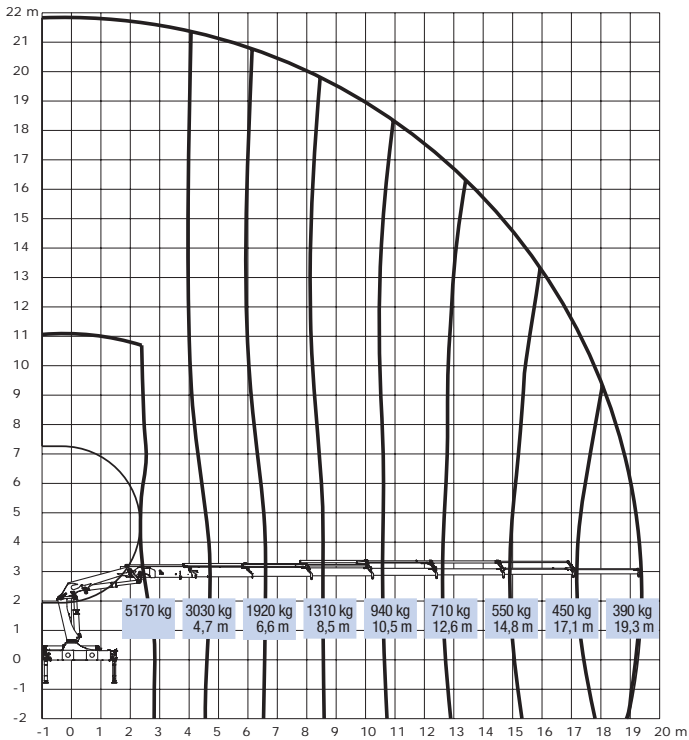
HMF 1800-K6



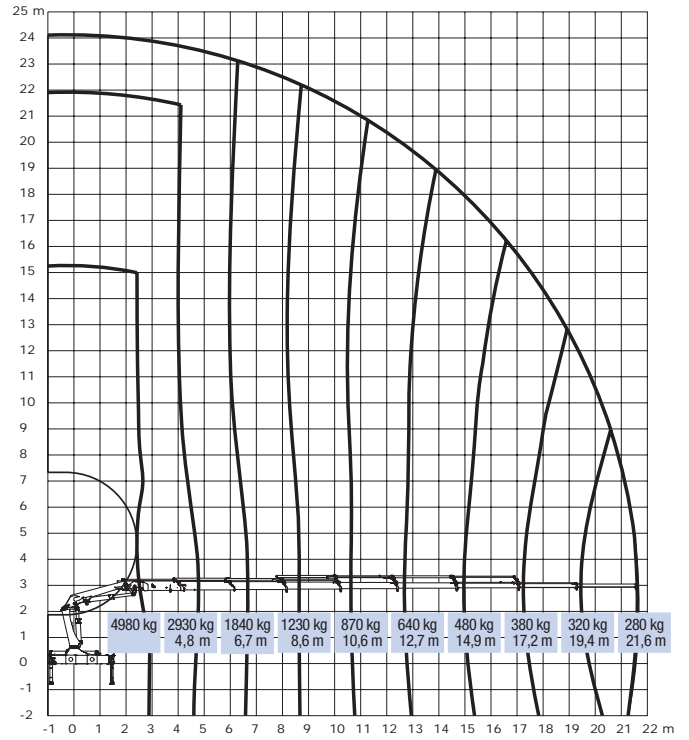
Loading group B3	Unit	1800-K2	1800-K3	1800-K4	1800-K5	1800-K6	1800-K7	1800-K8
Load moment	tm	16.6	16.1	15.6	15.2	14.7	14.3	14.0
Hydraulic reach	m	8.3	10.3	12.5	14.8	17.2	19.4	21.7
Slewing torque	kgm	2426	2426	2426	2426	2426	2426	2426
Slewing angle	°	400	400	400	400	400	400	400
Max. heel at max. moment	°	5	5	5	5	5	5	5
Working pressure	Bar	300	300	300	300	300	300	300
Recommended pump performance	l/min	55	55	55	55	55	55	55
Height above chassis	mm	2295	2295	2295	2295	2295	2295	2295
Length of loader, no extra valves	mm	880	880	880	880	880	990	990
Length of loader, with extra valves	mm	1000	1000	1000	1000	1000	-	-
Width	mm	2500	2500	2500	2500	2500	2500	2500
Stabilizer spread, standard	mm	5575	5575	5575	5575	5575	5575	5575
Stabilizer spread, double	mm	6455	6455	6455	6455	6455	6455	6455
Weight of standard loader excl. stabilizers*	kg	1840	1995	2180	2320	2445	2550	2635
Weight of stabilizers, standard*	kg	275	275	275	275	275	275	275
Weight of stabilizers, double*	kg	355	355	355	355	355	355	355

* Weight excl. fittings, optional extras and oil.

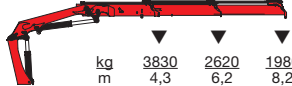
HMF 1800-K7



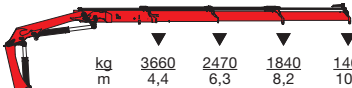
HMF 1800-K8



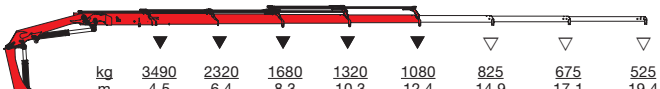
HMF 1800-K2



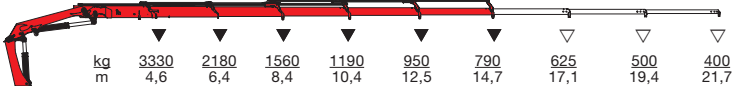
HMF 1800-K3



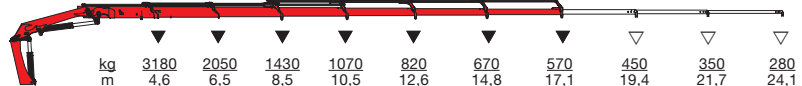
HMF 1800-K4



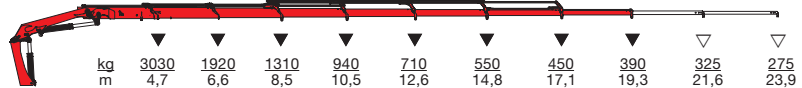
HMF 1800-K5



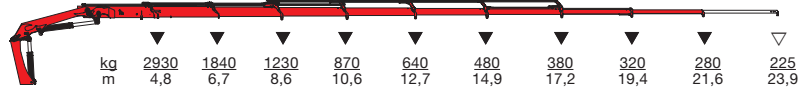
HMF 1800-K6



HMF 1800-K7



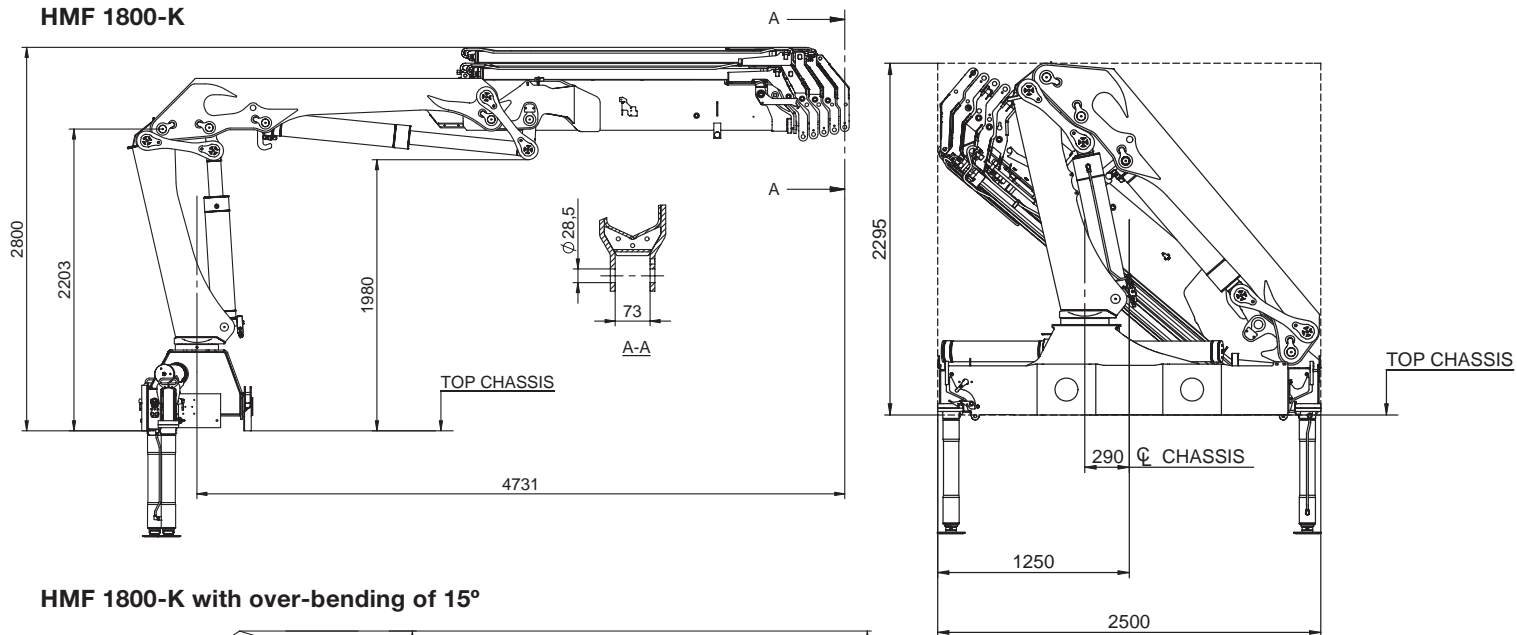
HMF 1800-K8



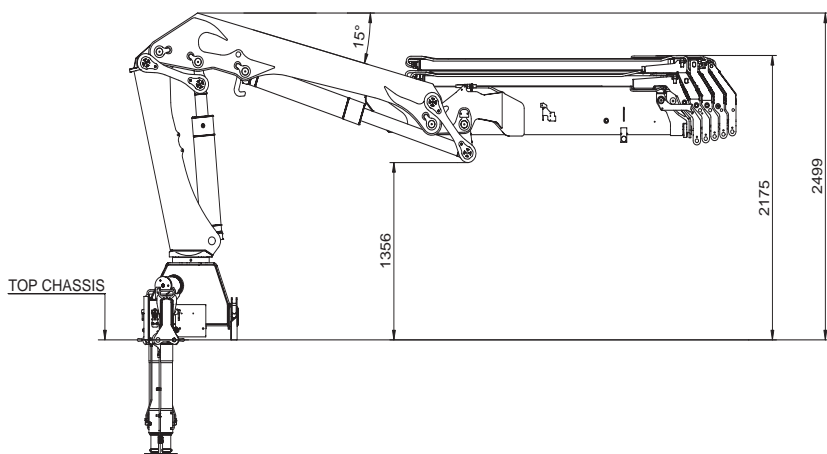
▼ Lifting capacity without manual extensions
 ▽ Lifting capacity with manual extensions

HMF Knuckle Boom Loader 1800-K

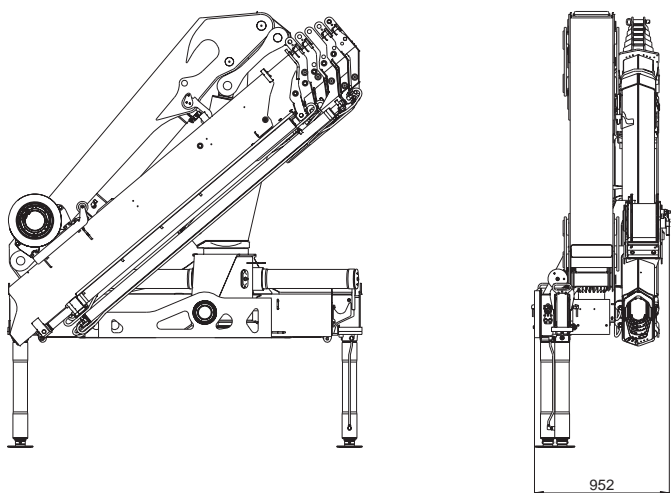
HMF 1800-K



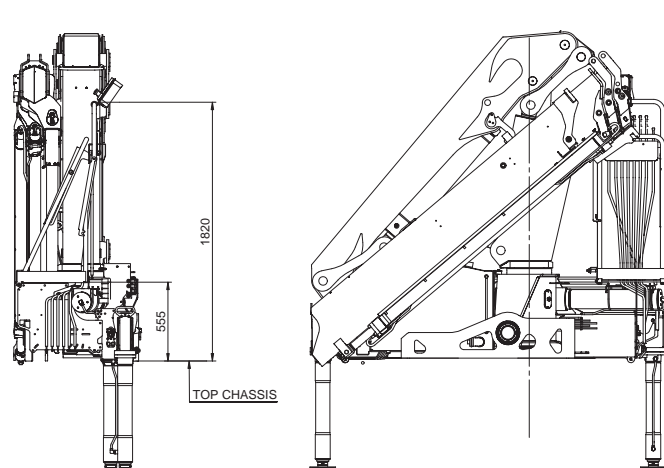
HMF 1800-K with over-bending of 15°



HMF 1800-K with winch



HMF 1800-K with stand-up controls



Z008403-0

We reserve the right to introduce improvements and modifications



Højbjerg Maskinfabrik A/S • Oddervej 200 • DK-8270 Højbjerg
Tel.: +45 8627 0800 • Fax: +45 8627 0744 • info@hmf.dk

www.hmf.dk