

Weights

Operating weight with cab and bucket (ISO 6016)	3499 kg
Transport mass (no attachment)	3335 kg
Weight reduction with canopy	-118 kg
Additional weight for cab with HVAC	19 kg
Additional weight for steel tracks	96 kg
Additional weight for long dipperstick (with heavy ctw.)	303 kg
Ground pressure with rubber tracks	31.84 kPa

Engine

Make / model	Kubota / D1703-M-D1-E4B-BC-2
Fuel	Diesel
Number of cylinders	3
Displacement	1642 cm ³
Maximum power @ 2200 rpm (ISO 14396)	18.2 kW
Maximum torque (SAE)	97.4 Nm

Performance

Digging force, dipperstick (ISO 6015)	20790 N
Digging force, long dipperstick (ISO 6015)	18010 N
Digging force, bucket (ISO 6015)	33430 N
Drawbar pull	34132 N
Travel speed, low range	2.6 km/h
Travel speed, high range	4.7 km/h

Hydraulic System

Pump type	Single outlet variable displacement, load sensing torque. Pump with gear pumps
Total hydraulic capacity	101.20 L/min
Auxiliary flow	63.90 L/min
Auxiliary relief	206.0 bar

Slew System

Boom swing, left	75.0°
Boom swing, right	55.0°
Slew rate	8.6 RPM

Fluid Capacities

Cooling system	8.00 L
Engine lubrication plus oil filter	5.20 L
Fuel reservoir	52.00 L
Hydraulic reservoir	8.30 L
Hydraulic system	39.70 L

Environmental

Noise level LpA(EU Directive 2006/42/EC)	77 dB(A)
Noise level LWA(EU Directive 2000/14/EC)	94 dB(A)
Whole body vibration (ISO 2631-1)	0.11 ms ⁻²
Hand-arm vibration (ISO 5349-1)	0.34 ms ⁻²

Standard Features

1750 mm dozer blade	Horn
300 mm rubber tracks	Hydraulic joystick controls
Adjustable double acting auxiliary hydraulic (AUX1) with Quick Couplers	Proportional fingertip auxiliary and boom swing offset hydraulic control
Battery disconnect switch	Retractable seat belt
Blade float feature	Suspension seat with high back
Clamp ready	TOPS/ROPS/FOPS canopy * 1
Control console locks	Two-speed travel with Auto shift
Cupholder	Upper structure four-point tie down
Engine/hydraulic monitor with shutdown	Water separator
Foldable and ergonomic pedals	Work light (boom)
Full fuel warning alarm	Warranty: 12 months, 2000 hours (whichever occurs first)

1. Roll Over Protective Structure (ROPS) – Meets requirements of ISO 3471. Tip Over Protective Structure (TOPS) – Meets requirements of ISO 12117. Falling Object Protective Structure (FOPS) – Meets requirements of ISO 3449.

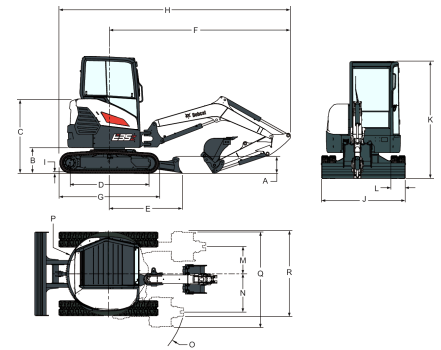
Working Range



Values marked with * - Long dipperstick

(A)	185.0°	(G)	3708.0 mm
(B)	5351.0 mm	(H)	4804.0 mm
(B)	5633.0 mm	(H*)	4985.0 mm
(C)	5230.0 mm	(I)	3340.0 mm
(C*)	5520.0 mm	(I*)	3521.0 mm
(D)	2267.0 mm	(J)	2136.0 mm
(D*)	2324.0 mm	(J)	2414.0 mm
(E)	382.0 mm	(K)	3117.0 mm
(F)	456.0 mm	(K*)	3417.0 mm

Dimensions



(A)	322.0 mm	(J)	1750.0 mm
(B)	540.0 mm	(K)	2468.0 mm
(C)	1557.0 mm	(L)	300.0 mm
(D)	1647.0 mm	(M)	575.0 mm
(E)	1528.0 mm	(N)	795.0 mm
(F)	3787.0 mm	(O)	1788.0 mm
(G)	2074.0 mm	(P)	875.0 mm
(H)	4823.0 mm	(P*)	965.0 mm
(H*)	4832.0 mm	(Q)	1841.0 mm
(I)	25.0 mm	(R)	1805.0 mm

Options

1st AUX hydraulic on arm	Hydr. coupler lines (AUX5)
2nd AUX hydraulics	Joystick pattern selector
AM/FM MP3 stereo radio	Keyless ignition
Additional lights (2+1)	Klacc D coupler
Auto idle	LED lights set
Beacon	Left and right mirror
Bobcat hydr. pin grabber	Long dipperstick with clamp eyes
Case drain line	MS03 coupler
Clamp with AUX1 diverter	Object handling device
Direct-to-tank-AUX1 line	(safety valves + overload warning device + lifteye)
Dix textile suspension seat	Special applications kit
Fire extinguisher	Steel tracks
Heavy counterweight	TOPS/ROPS/FOPS cab with heater
	Travel motion alarm