

CR352L RUBBER TIRE ASPHALT PAVER**CR352L RUBBER TIRE ASPHALT PAVER****Features:**

- 8 ft (2.4 m) commercial paver
- Turbocharged 160 hp Tier 3 diesel engine
- Power-tilt hood with integral radiator
- Proportional feed control
- Up to 20 ft (6.1 m) paving widths
- Patented Frame Raise System
- Patented Three-Point Suspension
- Fume-recovery system mitigates fumes

CR352L Rubber Tire Paver

Tractor

- All-welded mainframe construction
- 18.4 x 26 in (467 x 660 mm) rear drive tires
- Oscillating front wheel bogie assemblies
- Two-wheel drive or front wheel assist
- Automatic hydraulic front wheel alignment
- Hydraulic power steering
- Differential lock
- Direct hydrostatic drive
- Three-Point suspension
- Adjustable spreading auger height via frame raise
- Oscillating push rollers or truck hitch
- Power tilt hood with integral radiator
- Fume-recovery system mitigates fumes
- Adjustable material retaining plates
- Operator's umbrella

Screed

- Screed assist (Stretch 16[®])
- One-piece hardened steel screed plate
- Hydraulically adjustable screed vibrators
- Electric heat or oil heaters
- Manual and hydraulic power mat depth control
- Hydraulic power crown control
- Power match height adjustment (Stretch 16 and VersaScreed[®] 208)
- Vertically adjustable screed end gates
- Hydraulic screed lift with mechanical screed lock

Feed System

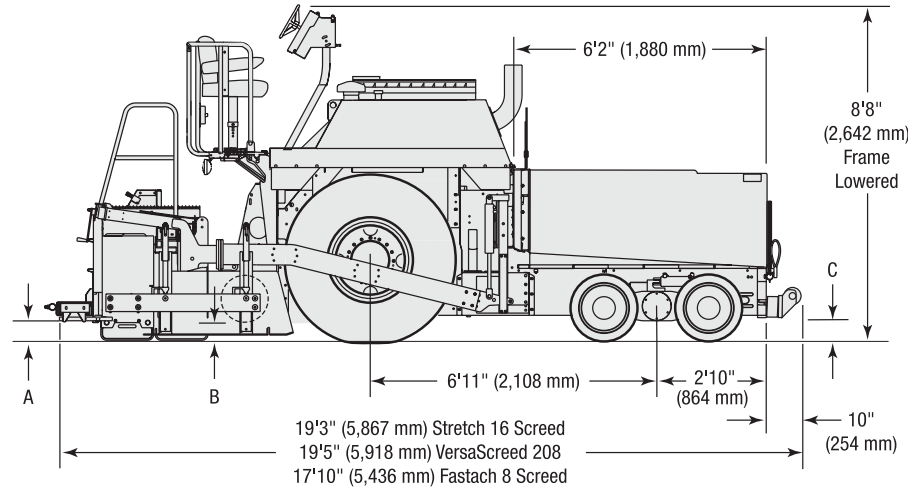
- Reinforced, sealed, tilting hopper wings with beveled corners
- Dual power-adjustable feed gates
- Reversible slat conveyor bars
- 3.075 in (78 mm)-pitch roller slat chain with hardened 8-tooth slat drive sprockets
- Conveyor bearings outside of tunnel for long life
- Long-wear #120 chain for slat and auger drive
- Independently controlled right and left feed systems
- System interlocks stop feed when paver stops

Controls

- Operator swing console with spring-loaded center lock and variable-position cam lock
- Full instrumentation gauges
- Electric-over-hydraulic propel control steering wheel with dial-in working speed
- Lockout/tagout capable E-stop and master electrical switch

Hydraulic System

- Engine-mounted, enclosed, Poly Chain[®] belt pump drive
- Variable-displacement pumps for tractor drives, right and left feed systems and auxiliary circuits
- Fixed-displacement pump for vibrator circuit with flow control valve for frequency adjustment
- Centralized filter locations
- Remote control solenoids with function-check LED



	A	B	C
	Screed Clearance	Auger Clearance Screed Up	Auger Clearance Screed Down
Frame Raised	14 in (356 mm)	7 1/2 in (191 mm)	11 in (279 mm)
Frame Lowered	8 in (203 mm)	2 1/2 in (64 mm)	5 in (127 mm)
			Frame Clearance
			5 1/2 in (139 mm)
			6 1/2 in (165 mm)

Paver

Paver width (hopper wings up)	8 ft 6 in (2.59 m)
Paver width (hopper wings down)	10 ft (3.05 m)
Paving width (std)	8 ft (2.44 m)
Paving width (max)	20 ft (6.1 m)
Paving depth (max)	12 in (305 mm)
Paving speed (max)	400 ft/min (122 m/min)
Travel speed (max)	13 mph (20.9 km/hr)
Drive tires	10-ply 18.4 x 26 in (467 x 660 mm)
Front wheels	12 in wide x 22 in dia (305 x 559 mm)
Brakes	hydrostatic steering; multiple disc parking

Weight*

Tractor	25,260 lbs (11,458 kg)
with Stretch 16 and hydroflated tires	31,870 lbs (14,456 kg)
with VersaScreed 208 and hydroflated tires	30,760 lbs (13,953 kg)
with Fastach [®] 8 and hydroflated tires	28,760 lbs (13,046 kg)

*Weights are based on average shipping weights.

Engine

Make/Model	Cummins QSB4.5
Type	Turbocharged diesel
Horsepower	160 hp (119 kW) @ 2200 rpm
Electrical	130 amp, 12 vdc

Capacities

Diesel fuel	62 gal (234 L)
Hydraulic oil	50 gal (189 L)
Cooling system	6 gal (23 L)

Spreading Auger Sections

Construction	Cast, high alloy
Diameter	14 in (355 mm)
Thickness	5/8 in (16 mm)

Hopper

Length & width	6 ft 2 in x 9 ft 11 in (1880 x 3023 mm)
Volume	165 ft ³ (4.67 m ³)
Capacity	10 tons (9.07 tonnes)
Feed tunnel width (each)	25 in (635 mm)
Slat liners (thickness)	3/8 in (9.5 mm)

Screed

Screed plate thickness	1/2 in (12.7 mm)
Positive crown (hydraulically powered)	3 in (76 mm)
Negative crown (hydraulically powered)	1 in (25 mm)
Vibrations per minute (max)	3000
Heaters	
Stretch 16 (electric heat)	20 kW generator
Stretch 16 (four oil heaters)	274,000 BTU (total) 2.0 gph (7.6 liters/hr)
VersaScreed 208 (electric heat)	20 kW generator
Fastach [®] 8 (electric heat)	20 kW generator
Fastach 8 (two oil heaters)	178,000 BTU (total) 1.3 gph (4.9 liters/hr)

Optional Equipment

Stretch 16 screed with electric or oil heat
VersaScreed 208 with electric heat
Fastach [®] 8 screed with electric or oil heat
Generation 3 proportional or sonic material feed control
Mechanical or sonic grade and slope control
Multi-foot grade reference system
Sonic averaging systems
Proportional steer assist
Material feed package
Bevel guide plates
Cutoff shoes, 12 in (305 mm) and 24 in (610 mm) sections
30 ft (9,144 mm) hose reel for spray-down
Back-up alarm
Additional umbrella
500-hour filter kit

Effective Date: March 2008. Product specifications and prices are subject to change without notice or obligation. The photographs and/or drawings in this document are for illustrative purposes only. Refer to the appropriate Operator's Manual for instructions on the proper use of this equipment. Failure to follow the appropriate Operator's Manual when using our equipment or to otherwise act irresponsibly may result in serious injury or death. The only warranty applicable to our equipment is the standard written warranty applicable to the particular product and sale and Terex makes no other warranty, express or implied. Products and services listed may be trademarks, service marks, or trade names of Terex Corporation and/or its subsidiaries in the USA and other countries. All rights are reserved. Terex is a registered trademark of Terex Corporation in the USA and many other countries. Copyright 2008 Terex Corporation.

Terex Roadbuilding
 P.O. Box 1985, Oklahoma City, OK 73101
 (405) 787.6020 1-888-TEREXRB
 www.terexrb.com

