

Dynapac CC2300

Double drum vibratory rollers

Atlas Copco



Technical data



Masses

Max. operating mass	9,400 kg
Operating mass (incl. ROPS)	8,500 kg
Module mass (front/rear)	4,250/4,250 kg



Traction

Speed range (Dual/TC/AS)	0 - 12
Vertical oscillation	±7°
Theor. gradeability	39 %
Off-set	335 mm



Compaction

Split drums	Yes
Centrifugal force (high/low amplitude)	72/59 kN
Nominal amplitude (high/low)	0.5/0.2 mm
Static linear load (front/rear)	28.3/28.3 kg/cm
Vibration frequency (high/low amplitude)	48/67 Hz
Water tank	750 liters



Engine

Manufacturer/Model	Deutz TCD 3.6 IIIB/T4i
Type	Water cooled turbo Diesel
Rated power, SAE J1995	75 kW (100 hp) @ 2,200 rpm
Fuel tank capacity	130 l



Engine

Manufacturer/Model	Cummins QSB 3.3 IIIA/T3
Type	Water cooled turbo Diesel
Rated power, SAE J1995	74 kW (99 hp) @ 2,200 rpm



Hydraulic system

Driving	Axial piston pump with variable displacement Axial piston motors (4) with variable displacement
Vibration	Axial piston pumps (2) with variable displacement Axial piston motors (2) with constant displacement
Steering	Gear pump with constant displacement.
Service brake	Hydrostatic in forward and reverse lever.
Parking/ Emergency brake	Failsafe multidisc brake in both drums.

Find us locally at www.atlascopco.com

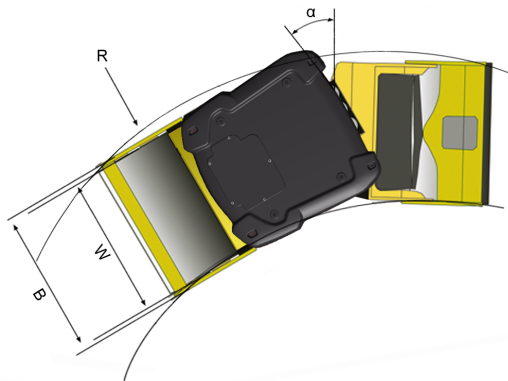
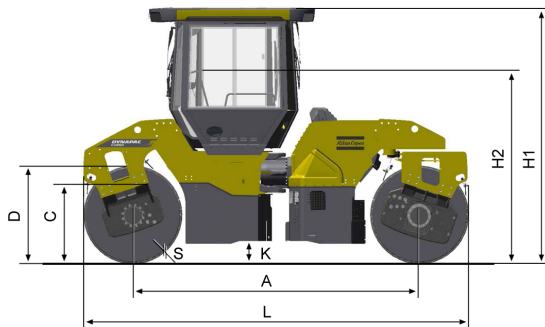
We reserve the right to change specifications without notice. Photos and illustrations do not always show standard versions of machines.
The above information is a general description only, all informations are supplied without liability.

Dynapac CC2300

Double drum vibratory rollers

Atlas Copco

Technical data



Dimensions	
A. Wheelbase	3,340 mm
B. Width	1,620 mm
C. Curb clearance	715 mm
D. Drum diameter	1,150 mm
H1. Height, with ROPS/cab	2,990 mm
H2. Height, w/o ROPS/cab	2,275 mm
K. Ground clearance	270 mm
L. Length	4,490 mm
O1. Overhang, right	60 mm
O2. Overhang, left	60 mm
R. Outer turning radius with off-set	5,190 mm
S. Drum shell thickness	17 mm
W. Drum width	1,500 mm
α. Steering angle	±32°

Find us locally at www.atlascopco.com

We reserve the right to change specifications without notice. Photos and illustrations do not always show standard versions of machines. The above information is a general description only, all informations are supplied without liability.